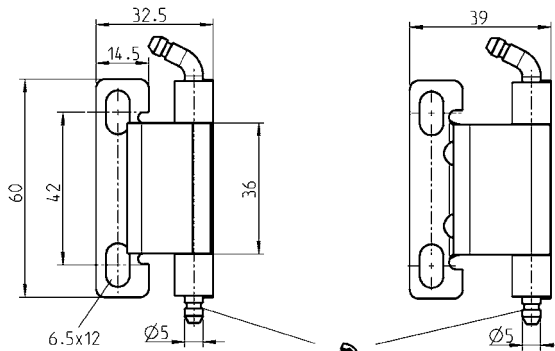
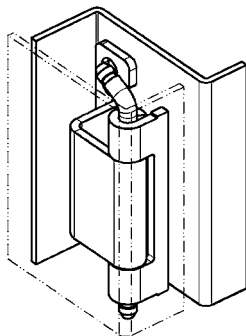
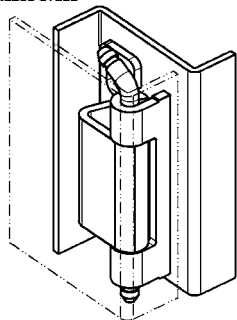


120° hinge PROGRAM 1032



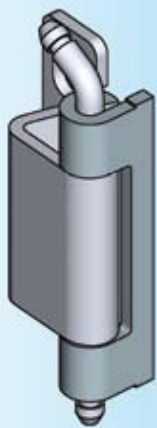
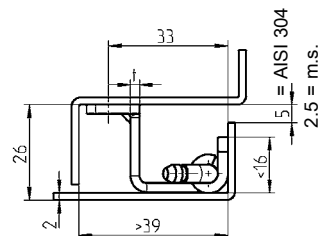
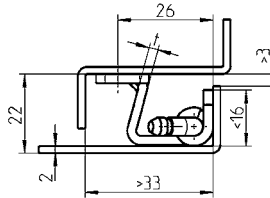
120° hinge for 22 or 12 mm door return

STAINLESS STEEL



* Circlip
DIN 6799-4

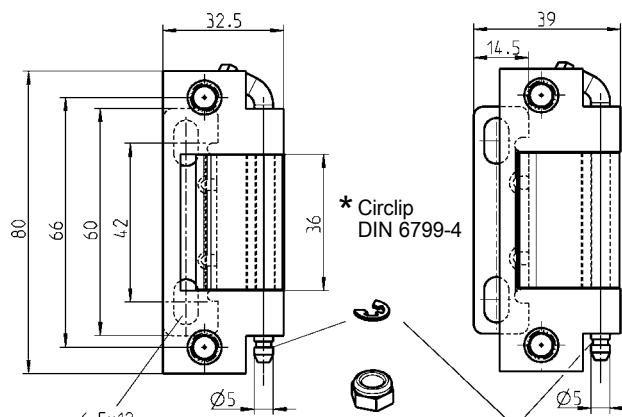
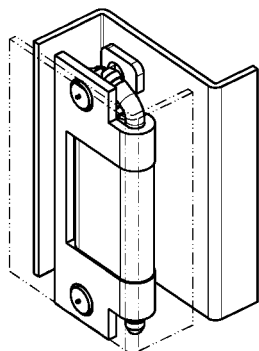
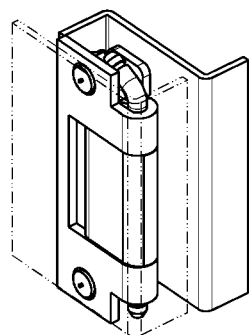
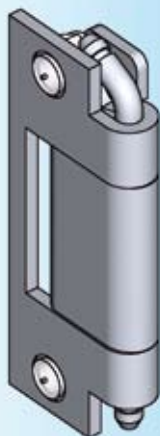
m.s. t = 2.50
Stainless steel t = 2.25



120° hinge m.s. zinc plated or stainless steel; door part m.s. raw or AISI 304

m.s. (Dim. 22)	1032-U1	m.s. (Dim. 26)	1031-U1
AISI (Dim. 22)	1032-U2	AISI (Dim. 26)	1031-U2

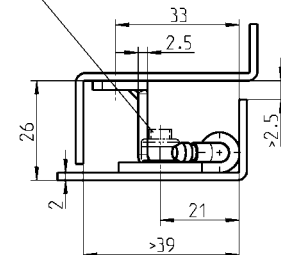
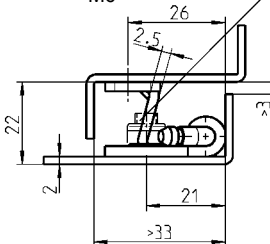
120° hinge for weld stud fastening
for 22 or 12 mm door return



* Circlip
DIN 6799-4

* Safety nut
M6

* Weld stud M6x12



* not included

Further parts see page
– Fixing material

12E-100

Hinge m.s. zinc plated

(Dim. 22)	1032-U5	(Dim. 26)	1031-U10
-----------	---------	-----------	----------

