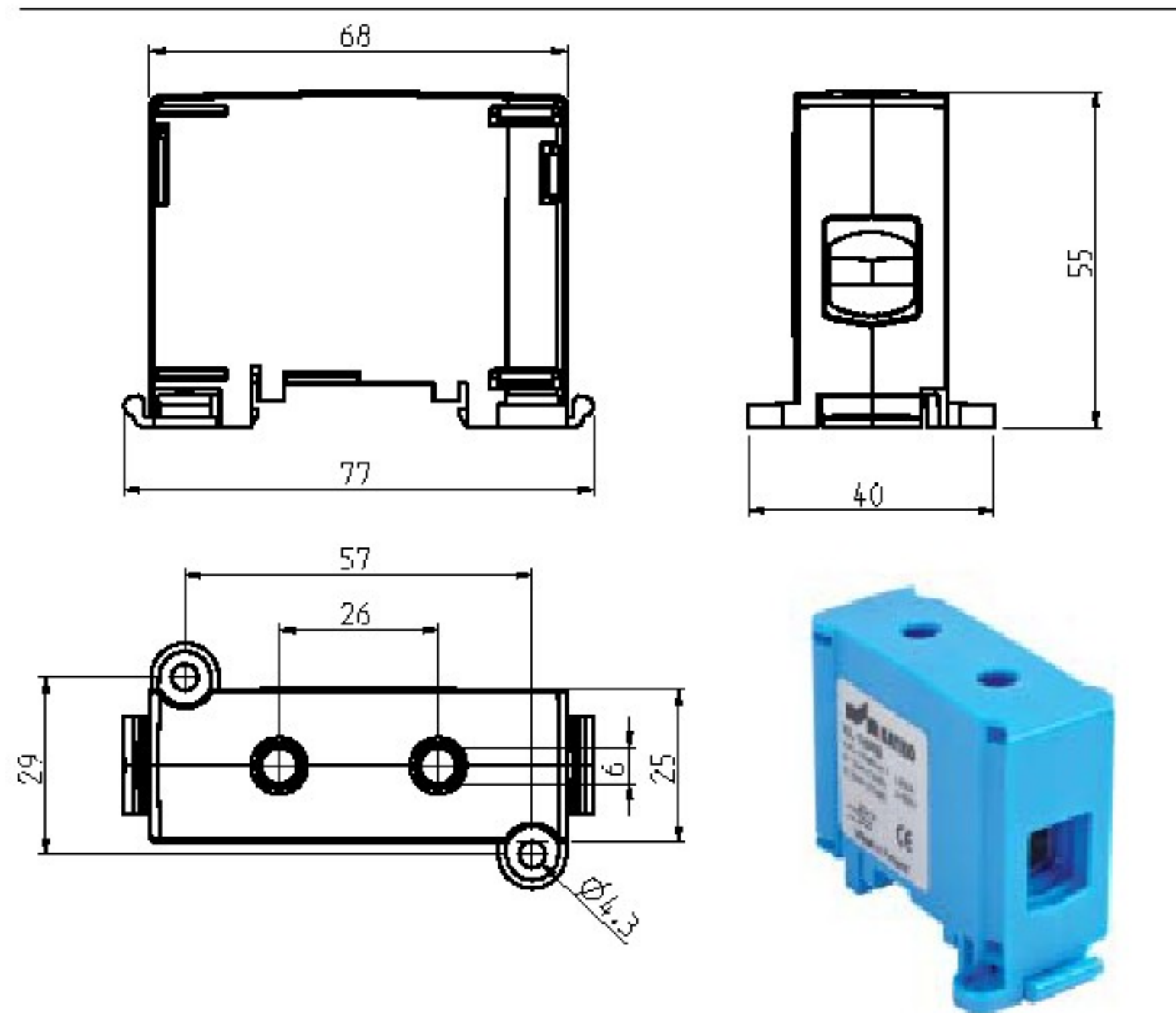
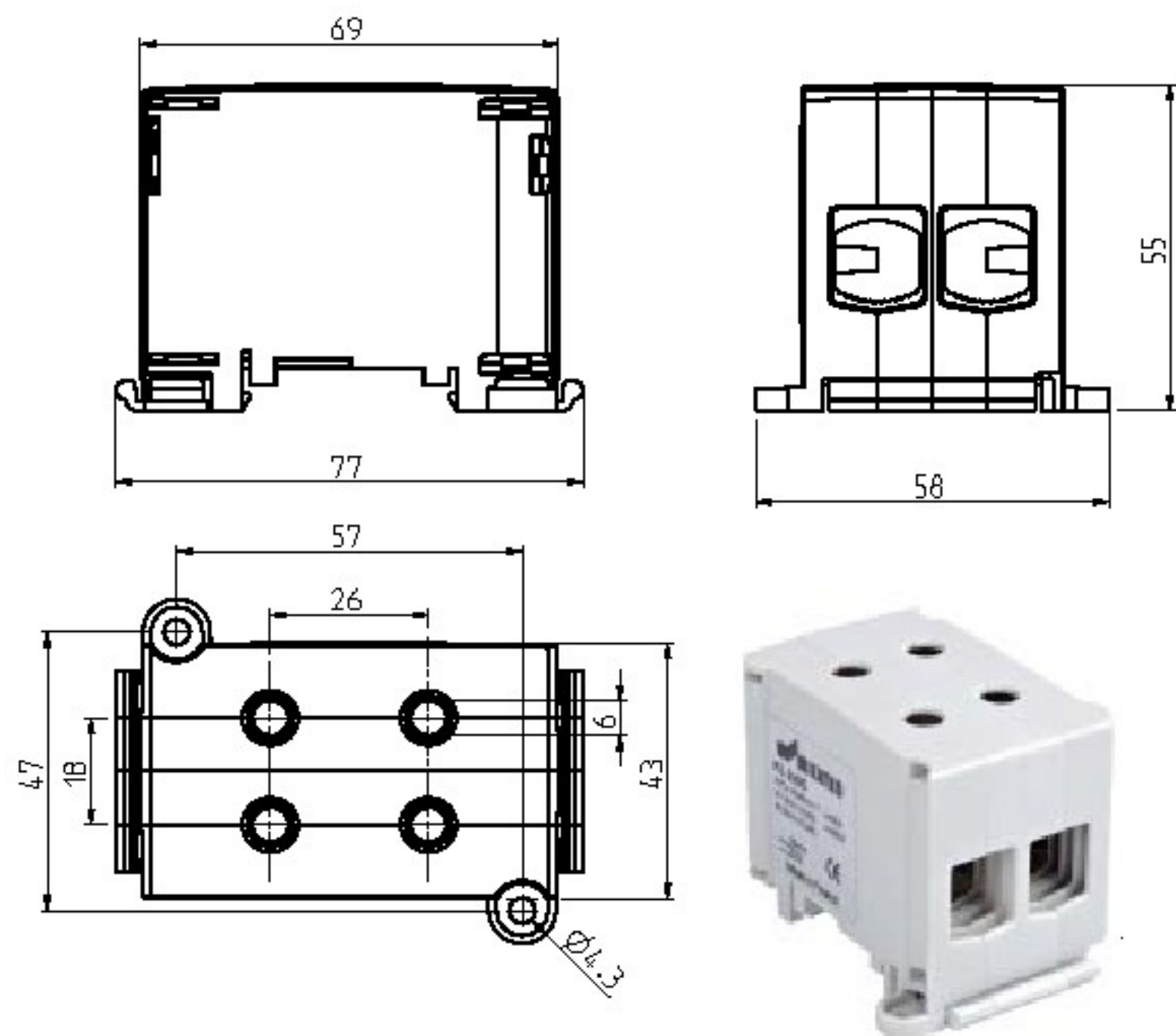


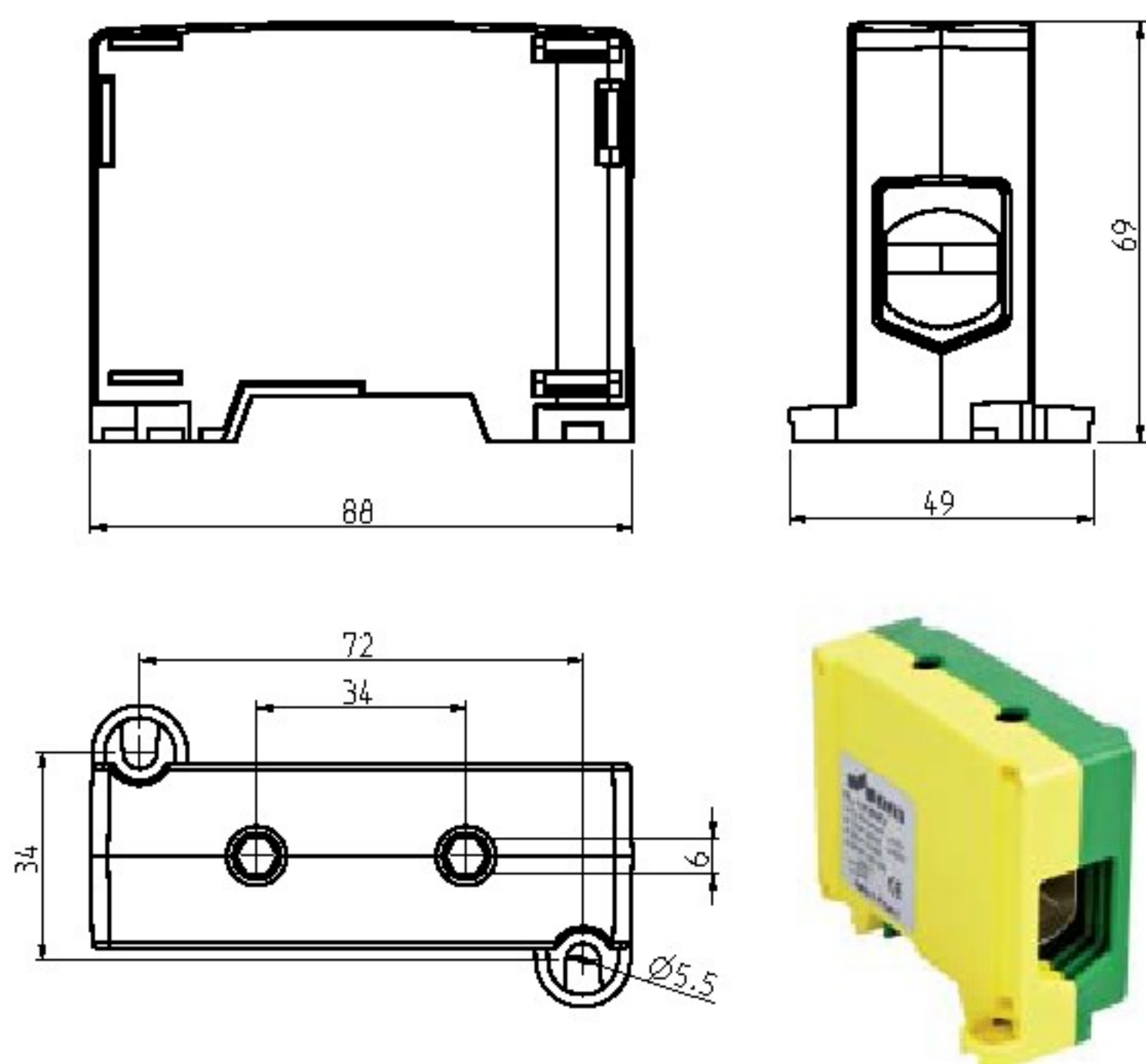
TERMINAL BLOCKS



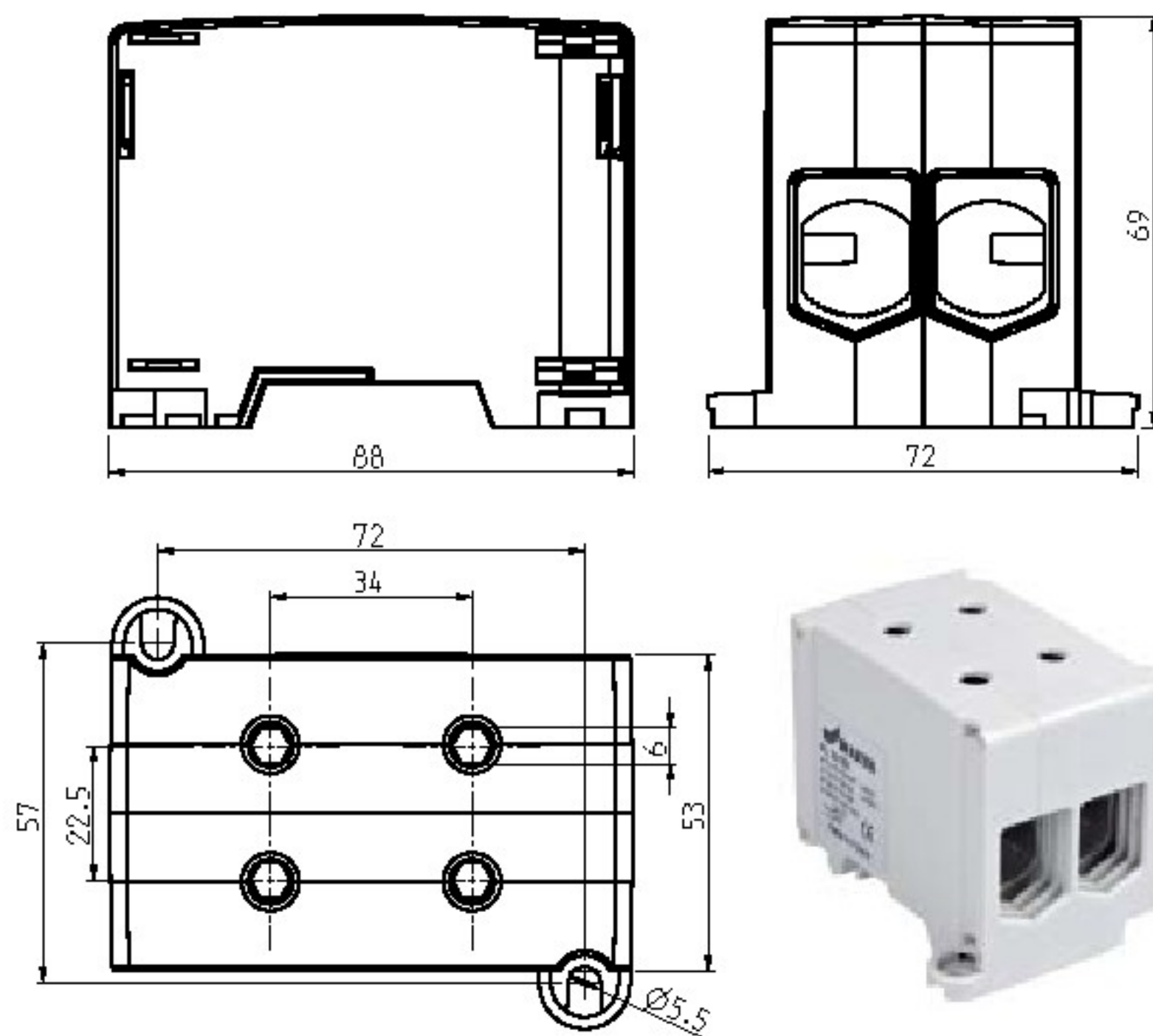
KL 1X95



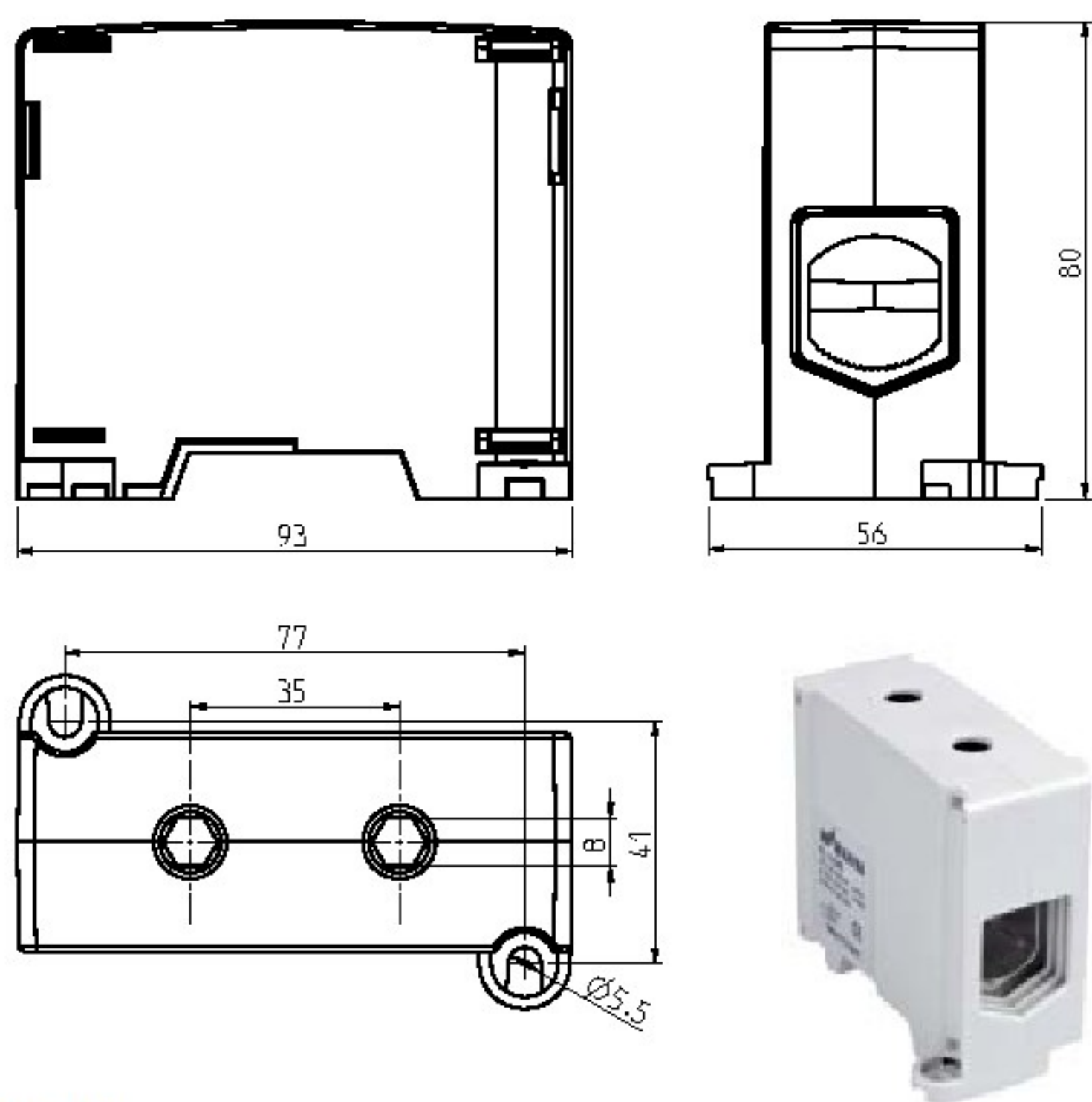
KL 2X95



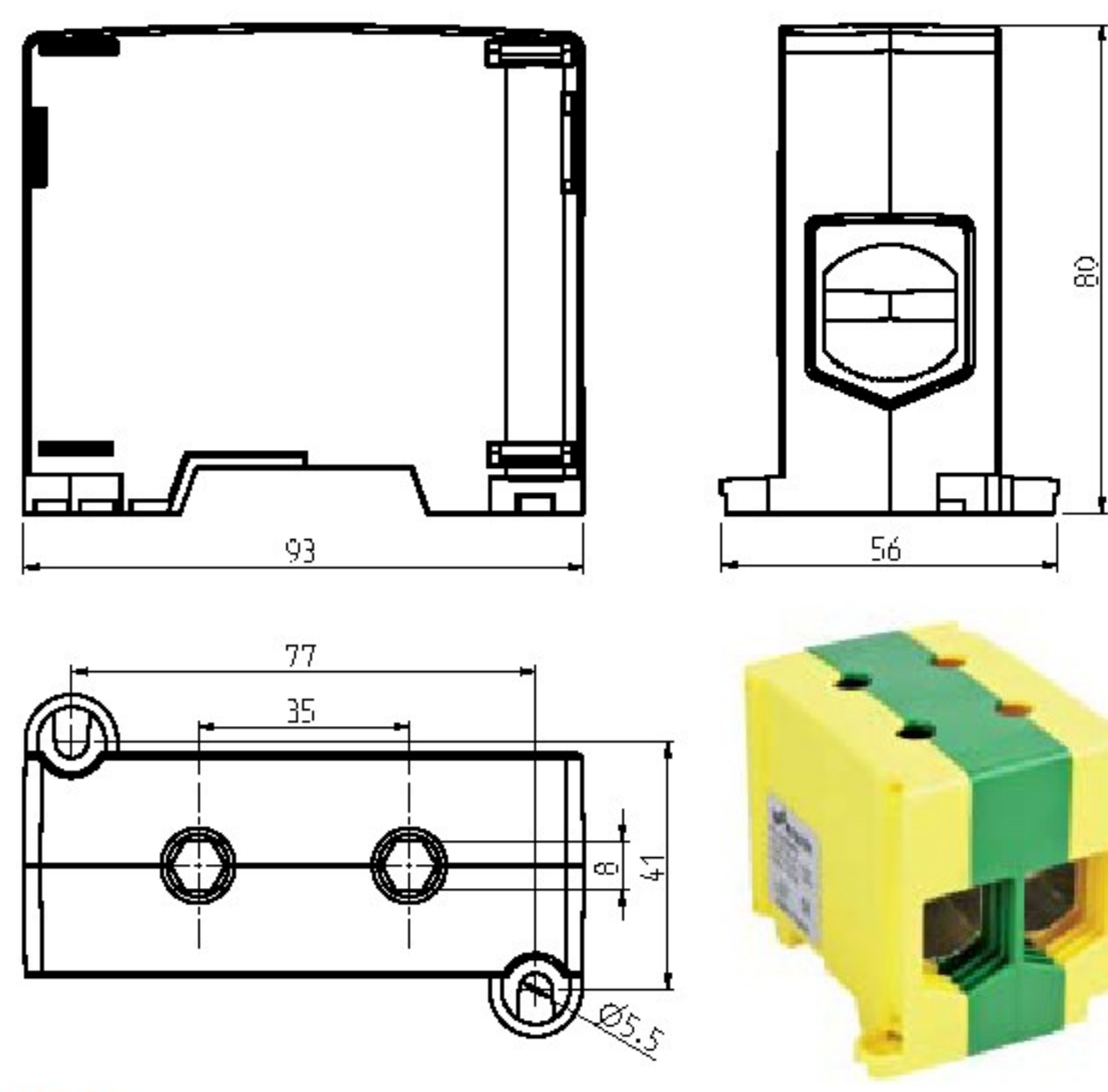
KL 1X150



KL 2X150



KL 1X240



KL 2X240



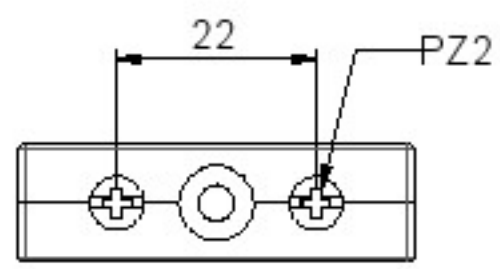
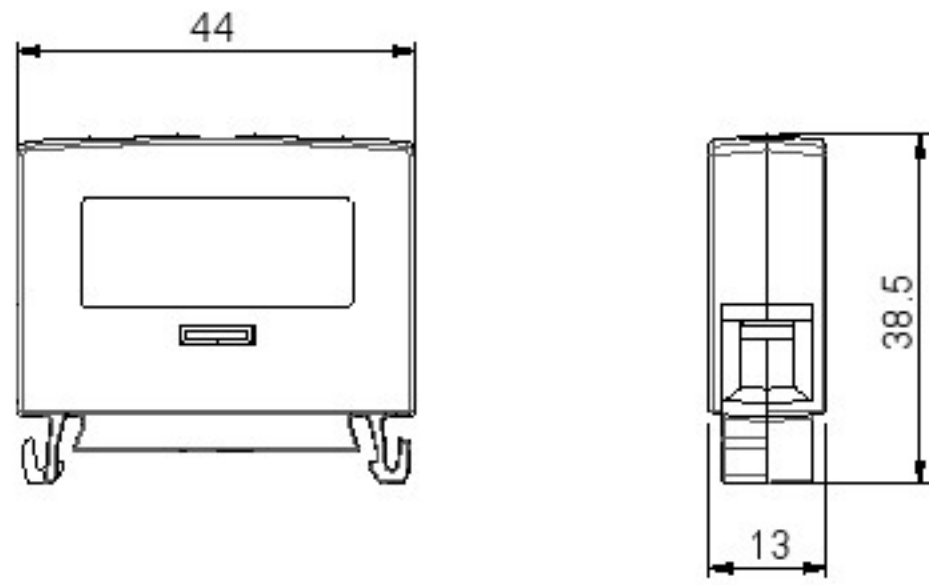
TERMINAL BLOCKS



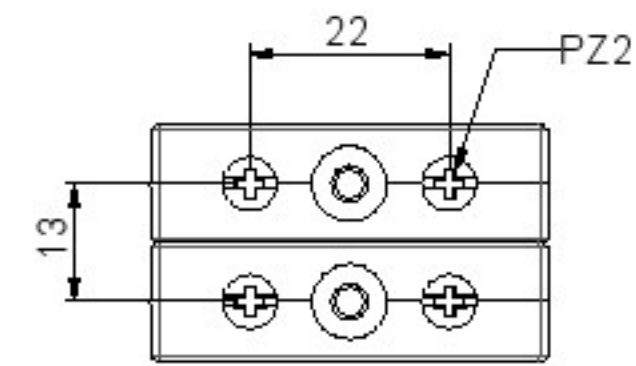
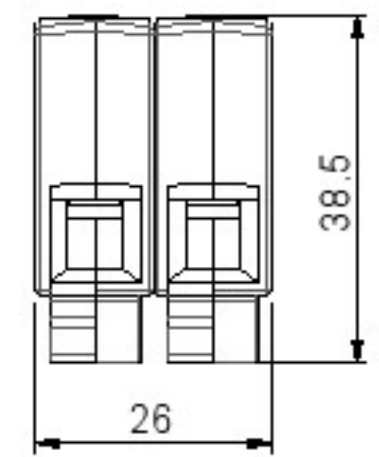
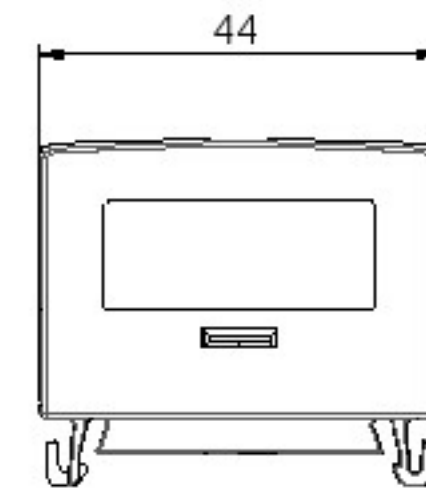
- Suitable for Al/Cu cables: 1.5 - 240 mm²
- Available in grey, blue (N) and yellow/green (PE)
- Touchproof, IP 20
- Housing and cover in polyamide
- Terminal material tin-coated, greased aluminium
- KC-terminals 16 - 35 mm² for DIN-rail mounting
- KL-terminals 50 - 95 mm² for DIN-rail or base mounting
- KL-terminals 150 - 240 mm² for base mounting
- Environmentally friendly materials

Type	Un (V)	In (A)	Al/Cu mm ²	Torque Al/Cu (Nm)	Number of conductors	Key size	Mounting	EAN-code	Weight (kg)
KC 1x16	800	63	1.5-16*	1.8	2	PZ2	DIN	6419410357200	0.021
KC 1x16S								6419410357217	
KC 1x16KV								6419410357224	
KC 2x16	800	125	1.5-16*	1.8	4	PZ2	DIN	6419410357507	0.047
KC 2x16S								6419410357514	
KC 2x16KV								6419410357521	
KC 1x35	800	135	2.5-35*	2.5	2	PZ2	DIN	6419410357231	0.03
KC 1x35S								6419410357248	
KC 1x35KV								6419410357255	
KC 2x35	800	270	2.5-35*	2.5	4	PZ2	DIN	6419410357538	0.069
KC 2x35S								6419410357545	
KC 2x35KV								6419410357552	
KL 1x50	800	160	2.5-50	6 (2.5-6 mm ²)	2	Hex 5	screw/DIN	6419410357262	0.04
KL 1x50S				12 (10-50 mm ²)				6419410357279	
KL 1x50KV								6419410357286	
KL 2x50	800	320	2.5-50	6 (2.5-6 mm ²)	4	Hex 5	screw/DIN	6419410357293	0.066
KL 2x50S				12 (10-50 mm ²)				6419410357309	
KL 2x50KV								6419410357316	
KL 1x95	800	200	16-95	12 (16-50 mm ²)	2	Hex 6	screw/DIN	6419410357323	0.074
KL 1x95S				22 (70-95 mm ²)				6419410357330	
KL 1x95KV								6419410357347	
KL 2x95	800	400	16-95	12 (16-50 mm ²)	4	Hex 6	screw/DIN	6419410357354	0.137
KL 2x95S				22 (70-95 mm ²)				6419410357361	
KL 2x95KV								6419410357378	
KL 1x150	800	315	25-150	12 (25-50 mm ²)	2	Hex 6	screw	6419410357385	0.149
KL 1x150S				22 (70-95 mm ²)				6419410357392	
KL 1x150KV				35 (120-150 mm ²)				6419410357408	
KL 2x150	800	630	25-150	12 (25-50 mm ²)	4	Hex 6	screw	6419410357415	0.26
KL 2x150S				22 (70-95 mm ²)				6419410357422	
KL 2x150KV				35 (120-150 mm ²)				6419410357439	
KL 1x240	800	400	35-240	25 (35-120 mm ²)	2	Hex 8	screw	6419410357446	0.225
KL 1x240S				55 (150-240 mm ²)				6419410357453	
KL 1x240KV								6419410357460	
KL 2x240	800	800	35-240	25 (35-120 mm ²)	4	Hex 8	screw	6419410357477	0.338
KL 2x240S				55 (150-240 mm ²)				6419410357484	
KL 2x240KV								6419410357491	

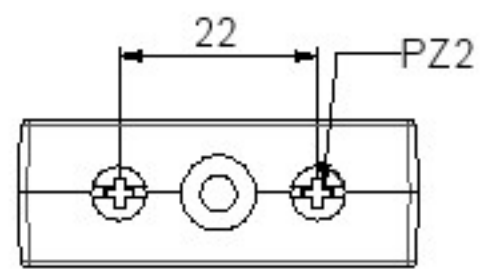
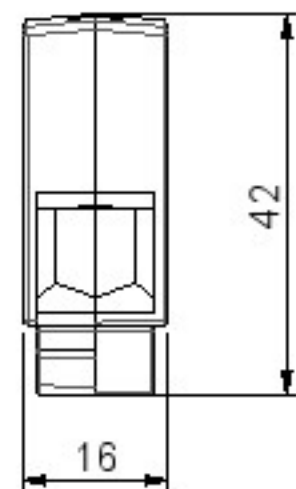
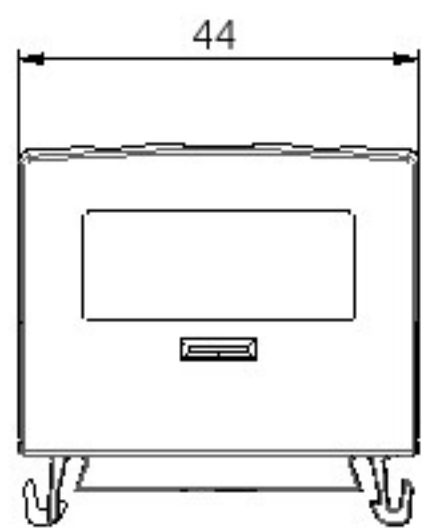
*Only copper cables



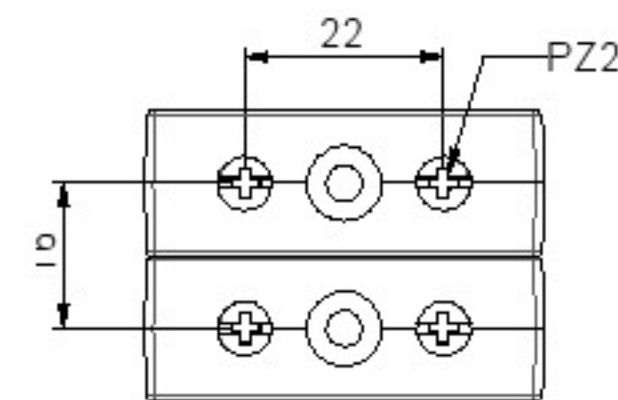
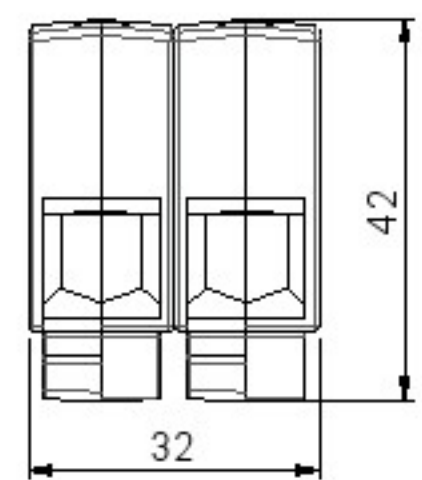
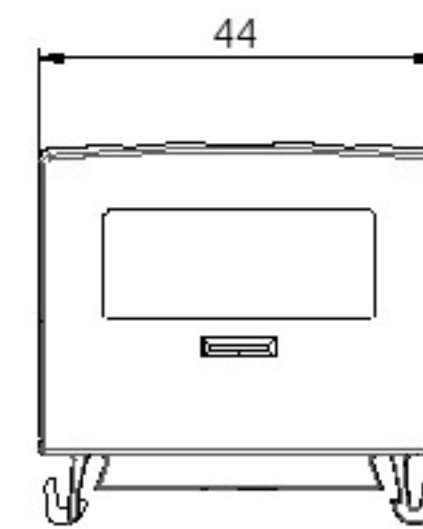
KC 1X16



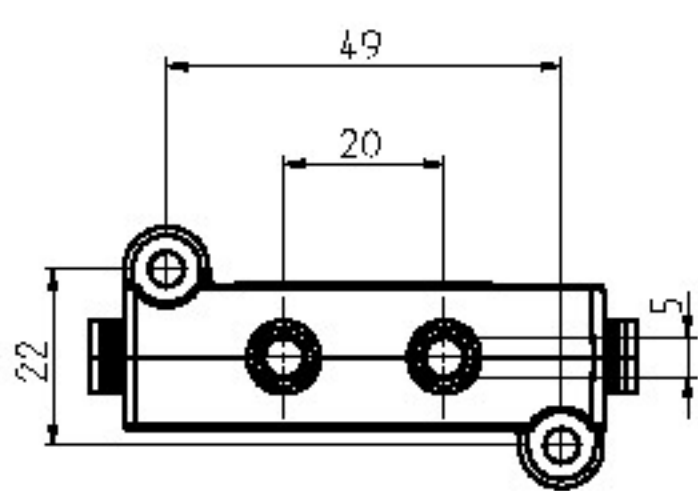
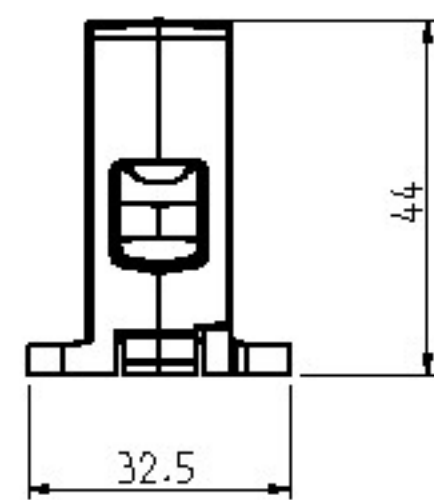
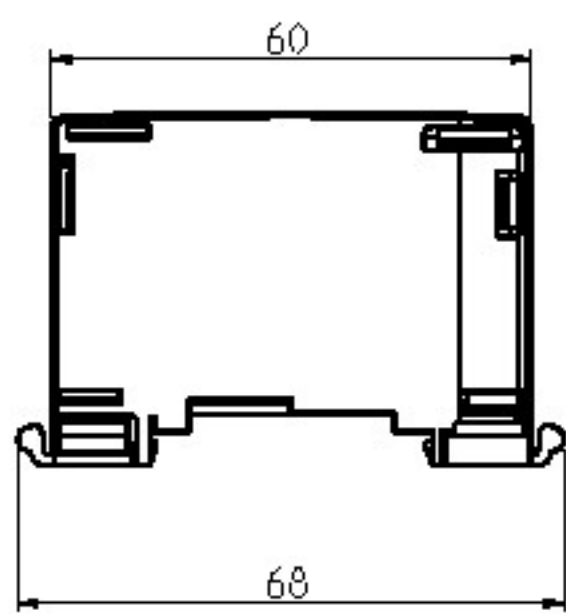
KC 2X16



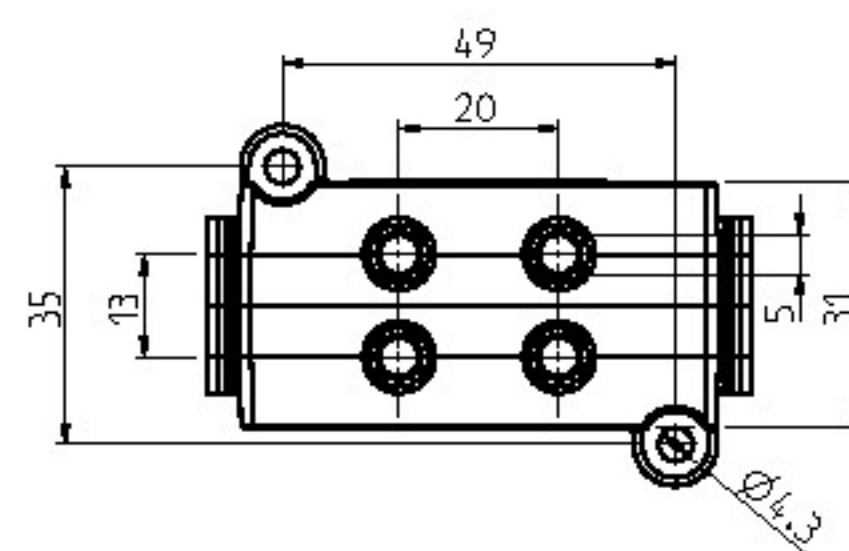
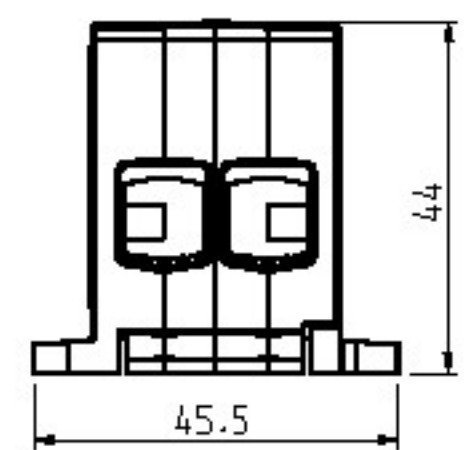
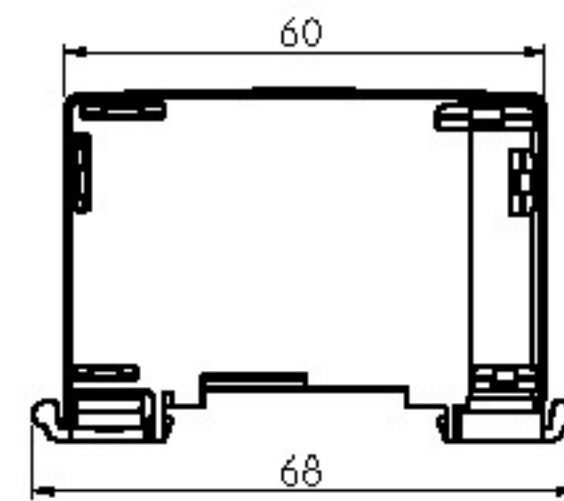
KC 1X35



KC 2X35



KL 1X50



KL 2X50