

# Ficha del Producto

## SR2 series



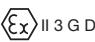
### Envolvente Metalica IP65



#### Características Constructivas

#### Rango

#### Características Técnicas

Conformity with	CEI EN 62208, CEI EN 60439-1, IEC61439-1-2
Degree of protection	IP65 (CEI EN 60529) - TYPE 12 (Normativa UL)
Mechanical impact rating	IK10 blind door IK09 glass door (IEC 62262)
Certifications	  
Type of metal	material
Installation site	indoor
Fixing method	wall/floor
Normal service conditions - ambient temperature	from -5 to +40 °C
Atmospheric conditions - relative humidity	50% at 40 °C 90% at 20 °C

For further information, please consult the "General Catalogue. Switchboards for automation" technical catalogue (cod. 1STC804013D0902).

# SR2 series

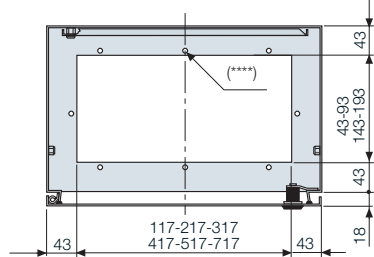
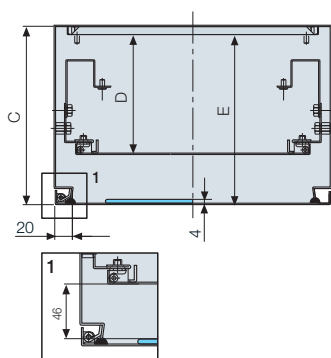
## Envolventes Metalicas IP65

### Tabla de Productos

Dimensiones			Puerta ciega	Codigo NDU
H [mm]	W [mm]	D [mm]	Placa de montaje incluida	
300	200	150	SRN3215K	3130003216AB
	300		SRN3315K	3130003316AB
	400		SRN3415K	
400	300	200	SRN4315K	3130004321AB
	400		SRN4420K	
	600		SRN4620K	
500	300	200	SRN5320K	3130005421AB
	400		SRN5420K	
	400		SRN5425K	
600	400	250	SRN6420K	3130006426AB
	400		SRN6425K	
	600		SRN6625K	
700	500	250	SRN7520K	3130007526AB
	500		SRN7525K	
	600		SRN8625K	
800	600	300	SRN8630K	3130008631AB
	800		SRN8830K	
	600		SRN10625K	
1000	600	300	SRN10630K	3130010631AB
	800		SRN10830K	
	600		SRN12630K	
1200	600	300	SRN12630K	3130012631AB
	800		SRN12830K	

### Modular panels and internal counte rdoor

### Fairlead flange



(\*) Locks (F)  
n°1 central for enclosures with h=303 to 503 mm  
n°2 for enclosures with SR2 enclosures 1 ABB h=603 to 703 mm (F=100 mm) n°2 for enclosures from h=803 to 1203 mm (F=150 mm)

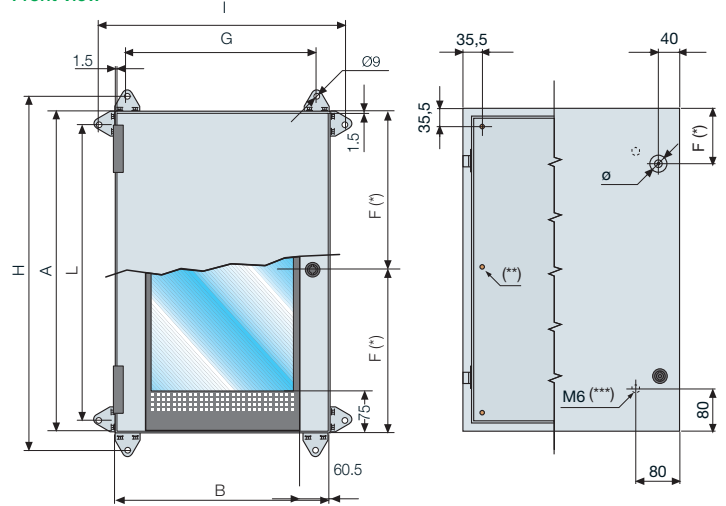
(\*\*) Copperd pin only for enclosures from h=1003 to 1203 mm

(\*\*\*\*) Copperd pin on the door  
n°1 for enclosures from h=303 to 503 mm  
n°4 for enclosures from h=603 to 803 mm  
n°6 for enclosures from h=1003 to 1203 mm

(\*\*\*\*) Flange fixing holes  
n°4 for enclosures from W=203 mm  
n°6 for enclosures from W=303 to 403 mm  
n°8 for enclosures from W=503 to 1203 mm

### Dimensiones

#### Front view



	A	B	C	D	E	F(*)	G	H	I	L
SRN3215K	303	203	147	82	133,5	151,5	163	337	237	263
SRN3315K	303	303	147	82	133,5	151,5	263	337	337	263
SRN3415K	303	403	147	82	133,5	151,5	363	337	437	263
SRN4315K	403	303	147	82	133,5	201,5	263	437	337	363
SRN4320K	403	303	197	132	183,5	201,5	263	437	337	363
SRN4420K	403	403	197	132	183,5	201,5	363	437	437	363
SRN4620K	403	603	197	132	183,5	201,5	563	437	637	363
SRN5320K	503	303	197	132	183,5	251,5	263	537	337	463
SRN5420K	503	403	197	132	183,5	251,5	363	537	437	463
SRN5425K	503	403	247	182	233,5	251,5	363	537	437	463
SRN6420K	603	403	197	132	183,5	100	363	637	437	563
SRN6425K	603	403	247	182	233,5	100	363	637	437	563
SRN6625K	603	603	247	182	233,5	100	563	637	637	563
SRN7520K	703	503	197	132	183,5	100	463	737	537	663
SRN7525K	703	503	247	182	233,5	100	463	737	537	663
SRN8625K	803	603	247	182	233,5	150	563	837	637	763
SRN8630K	803	603	297	232	283,5	150	563	837	637	763
SRN8830K	803	803	297	232	283,5	150	763	837	837	763

### Placas de montaje

Code	O	P
PF3020	160	260
PF3030	260	260
PF3040 - PF4030	360	260
PF4040	360	360
PF5030	260	460
PF5040	360	460
PF6040 - PF4060	360	560
PF6060	560	560
PF7050	460	660
PF8060	560	760
PF8080	760	760
PF1060	560	960
PF1080	760	960
PF1260	560	1160
PF1280	760	1160

