



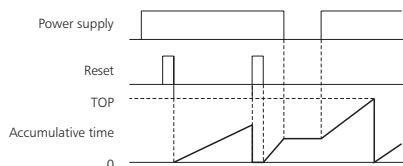
Operating voltage	85%-110% of rated voltage AC50Hz/60Hz AC/DC100V-240V, DC24V
Accumulating time range	99999.9h, 99h59min59s, 9999h59min, 9999day23h
Resetting mode	Panel button resetting, external terminal resetting
Resetting min pulse width	20ms
Accumulative error	≤0.02%
Current failure memory	> 10 years
Power consumption	1.5VA approx.
Installation mode	Panel type
Ambient temperature	-5°C ~ +40°C

NJJ5-L Electronic Time Accumulator

1. General

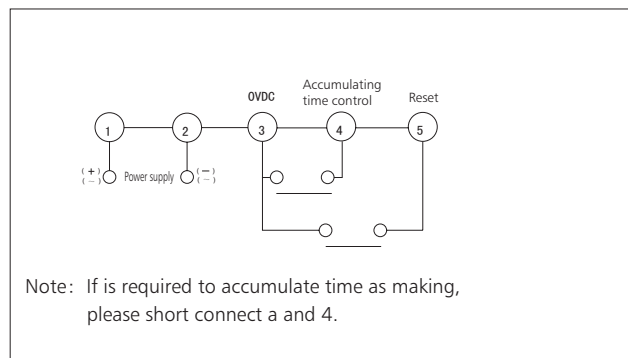
Horometro Digital 6 digitos
Alimentacion: 100-240V AC
Panel Ampliado
Reseteable
Cod. NDU : 271133CH

NJJ5-L operating timing-sequence diagram

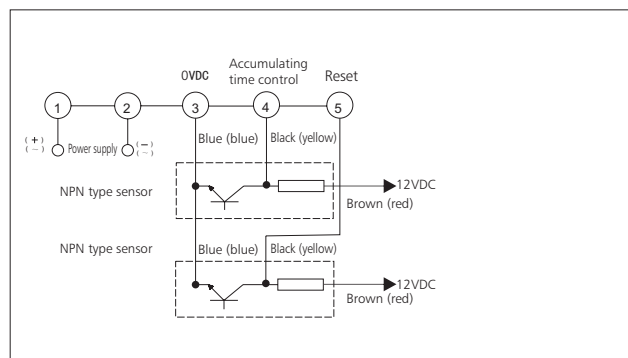


4. Wiring diagram

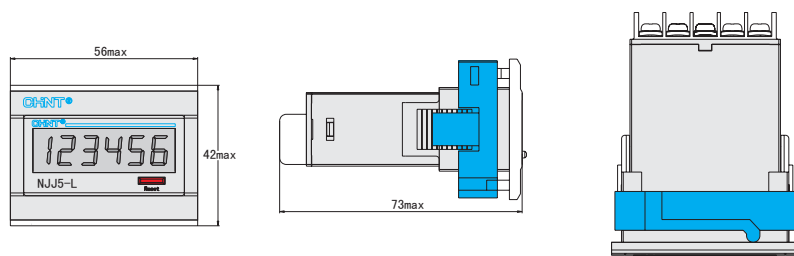
NJJ5-L contact signal input



NJJ5-L sensor signal input



Profile and installation dimension of extended panel type



Opening size of extended panel type

