

FICHA DEL PRODUCTO

ITEM:

CÓDIGO:

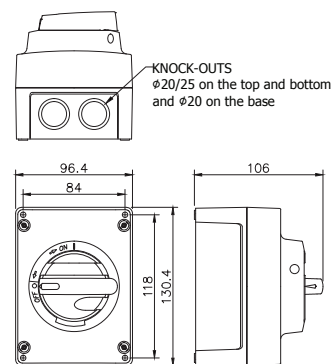
IMAGEN:



DESCRIPCIÓN
APLICACIÓN:

| LOAD BREAK SWITCH | | PV 216 | PV 225 | PV 232 |
|--|--------------------------|---------|---------|---------|
| SAFETY SWITCH, POLYCARBONATE, U2 | | PVM 216 | PVM 225 | PVM 232 |
| Number of poles in series | | 2 | 2 | 2 |
| Rated insulation voltage | U_i (V) | 1200 | 1200 | 1200 |
| Impulse withstand voltage | U_{imp} (kV) | 8 | 8 | 8 |
| Rated thermal current, open air | I_{th} (A) | 16 | 25 | 32 |
| Rated thermal current, enclosed ambient +40°C | I_{the} (A) | 16 | 25 | 32 |
| Rated thermal current, enclosed ambient +60°C | I_{the} (A) | 16 | 25 | 32 |
| Nominal values with cable sizes (mm ²) | | 2.5 | 4 | 6 |
| Rated operational current | U_i (VDC) | | | |
| | 300V | 16/16* | 25/20* | 32/25* |
| | 400V | 16/16* | 25/20* | 32/25* |
| | 500V | 16/16* | 25/20* | 32/25* |
| | 600V | 16/8* | 25/10* | 32/12* |
| | 700V | 16/6* | 20/8* | 25/10* |
| | 800V | 16/6* | 20/8* | 25/10* |
| | 900V | 16/6* | 20/8* | 25/10* |
| | 1000V | 16/6* | 20/8* | 25/10* |
| | 1200V | 10 | 12 | 16 |
| Rated short circuit making capacity | I_{cm} (A) | 1100 | 1100 | 1100 |
| Rated short time withstand current | I_{cw} (A) | 800 | 800 | 800 |
| Mechanical endurance | | 20000 | 20000 | 20000 |
| Terminals / *Bolt size | C_u (mm ²) | 1.5-16 | 1.5-16 | 1.5-16 |
| Terminal torque | (Nm) | 1.8 | 1.8 | 1.8 |

DC-21B / PV2*



KNOCK-OUTS
ø20/25 on the top and bottom
and ø20 on the base