



Low Voltage Switches

# Fusegear

## Switch fuses OS and OSM



# Switch fuses

## OS 16...1250, OSM 32...1250

### Contents

4	Product overview
6	Features
8	Technical data
18	Ordering information, manual operation
18	DIN- type, front operated, side operated and special connected switch fuses OS
31	BS- type, front operated, side operated and special connected switch fuses OS
45	NFC- type, front and side operated switch fuses OS
48	Neozed- type, front and side operated switch fuses OS
49	UL- and CSA- types, front and side operated switch fuses OS
53	Ordering information, motorized operation
53	Motorized switch fuses OSM, DIN-, BS- and NFC -types
56	Ordering information, accessories
56	Selection overview
58	Optional handles
62	Extended shafts and shaft accessories
65	Auxiliary contacts
68	Fourth poles and neutral links
70	Solid links, handle/fuse storage and phase barriers
71	Terminal shrouds and terminal angles
73	Terminal clamps
76	Conversion kits
78	Blown fuse indicators
80	Locking and mounting accessories
82	Dimension drawings
113	Contact functions
115	Index

# Switch fuses 16...1250 Amperes

## Manual operation



<b>DIN</b>	OS16FD	OS40FD	OS32GD	OS125GD
	OS35FD		OS63GD	OS160GD
<b>BS</b>	OS20FB		OS32GB	OS100GB
	OS32FB		OS63GB	OS125GB
<b>NFC</b>	OS25FF		OS50GF	OS125GF
	OS32FF			
<b>UL/CSA</b>	OS30FACC		OS60GJ	OS100GJ
	OS30FAJ			

	OS Mini						OS								
Switch size [A]	16	20	25	30	32	35	40	32	50	60	63	100	125	160	100
AC23/400 V [kW]	7.5		11		15	15	18.5	15	22		30		55	75	
AC23/415 V [kW]		7.5			15			15			30		55	55	75
480 V [HP]					15						30				60
600 V [HP]					20						50				75

## Motor operation



<b>DIN</b>	OSM32GD	OSM125GD
	OSM63GD	OSM160GD
<b>BS</b>	OSM32GB	OSM100GB
	OSM63GB	OSM125GB
<b>NFC</b>	OSM50GF	OSM160GB
		OSM125GF

	OSM					
Switch size [A]	32	50	63	100	125	160

**Accessories**

- Optional handles
- Extended shafts
- Auxiliary contacts
- Fourth poles
- N & PE terminals

- Solid links
- Terminal shrouds
- Connecting accessories
- Conversion kits
- Blown fuse indicators
- Locking accessories



OS200D	OS400D	OS630D	OS1250D
OS250D		OS800D	
OS200B	OS315B	OS630B	OS1250B
OS250B	OS400B	OS800B	

OS200J	OS400J	OS600J	OS1200L
		OS800L	

<b>200</b>	<b>250</b>	<b>200</b>	<b>315</b>	<b>400</b>	<b>600</b>	<b>630</b>	<b>800</b>	<b>1200</b>	<b>1250</b>
110	140			230		355	450		560
110	145		180	230		355	450		560
		150		250	400		500		-
		200		350	500		600		-

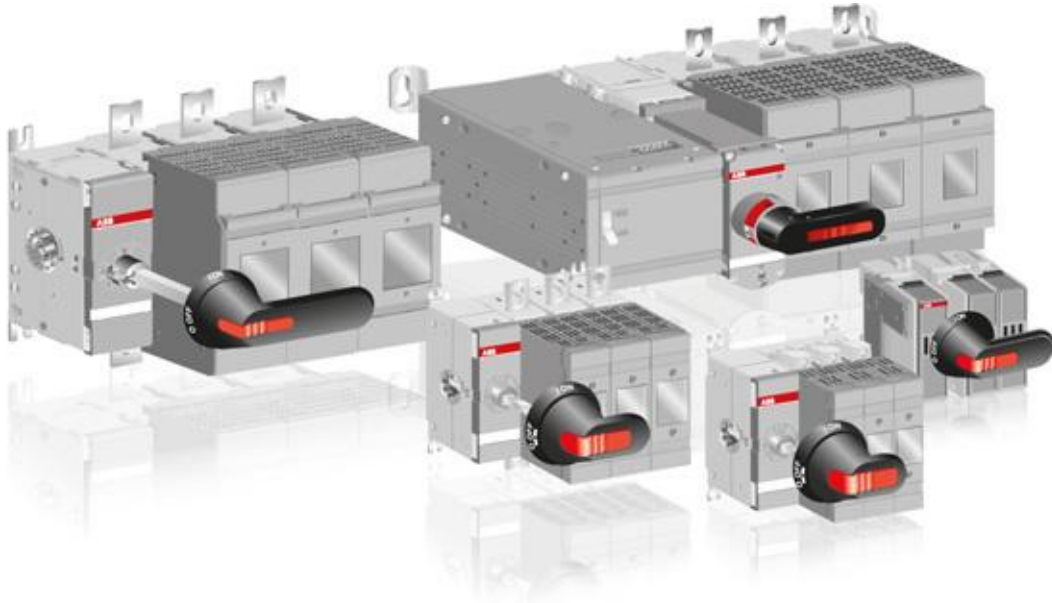


OSM200D	OSM400D	OSM630D	OSM1250D
OSM250D		OSM800D	
OSM200B	OSM315B	OSM630B	OSM1250B
OSM250B	OSM400B	OSM800B	

<b>200</b>	<b>250</b>	<b>315</b>	<b>400</b>	<b>630</b>	<b>800</b>	<b>1250</b>
------------	------------	------------	------------	------------	------------	-------------

# Complete range of switch fuses

## From 16 to 1250 A, 690 V



### Features within the range of ABB switch fuses include single pole to four pole versions.

The switch fuse mechanism located in any position, increasing the ease of installation and adaptability to different types of cubicle designs (OS32G...1250).

A wide selection of accessories improve the usability of the switch fuses; 6 and 8- pole, changeover, bypass and mechanically interlocked switch combinations can be built by using conversion kits.

The switch fuses are available for all types of fuse links, DIN, BS, NFC, UL, CSA. Switch fuses are also suitable for remote control by the motorized OSM versions.

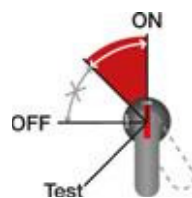
### Designed for safety

The switch fuse ensures safe operation, protecting both people and equipment.

Designed and based on substantial experience of electrical safety, the switch fuse eliminates the risk of electrical accidents:

- The fuse covers cannot be opened while the switch fuse is in the ON-position and can be sealed in the closed position.
- The double insulated external operating handle eliminates the risk of touching live parts outside the box.
- The handle indicates the position of the contacts with complete reliability in all situations.
- The frame is made of robust plastic with excellent mechanical and thermal properties.
- Voltage output pins (as standard)
- Pole markings as standard

▶ You take no risks with OS16...1250 switch fuses

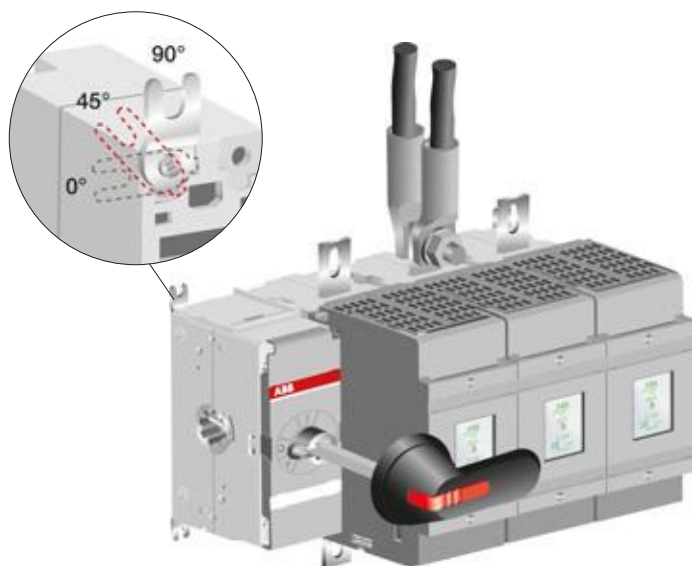


Switch fuses for extreme conditions - Numerous applications require switch fuses that can withstand extreme conditions. High voltages and high short circuit currents create a demand for superior performance without neglecting safety.

#### Easy, flexible installation

The OS 32...1250 switch fuse is easy to use and a snap to install according to your choice: the adjustable mounting feet allow both top and side mounting of the switch fuse.

The OS switch fuse offers you flexible cabling options. The high terminal positioning with space to the back plate simplifies the mounting of cables. It's also ideal for double cabling, which in turn saves on space. Special connected versions offer alternative solutions in installation.



#### Superior performance

- High CTI in supporting parts, resulting high  $U_i$  ratings
  - The contact constructions are optimal, regardless of fuse type, DIN, BS, NFC or UL-type
  - Meets the requirements for installation close to the main transformer up to 100 kA in heavy industry and in ships
- ▶ High performance level and smart design makes OS switch fuses suitable for all applications in low voltage networks.

#### Compact construction

- Intelligent construction in combination with a small number of components results in a very compact mechanism design
  - Very small footprint area
- ▶ Space savings mean cost reduction!

# Technical data

## Switch fuses OS16...160 and OSM32...160

Technical data according to IEC 60947-3			OS (Mini)	OS (Mini)	OS (Mini)	
			16	20	25	
Rated insulation voltage	Pollution degree 3		V	1 000	1 000	1 000
Dielectric strength		50 Hz 1min.	kV	10	10	10
Rated impulse withstand voltage			kV	12	12	12
Rated thermal current in ambient 35 °C and temporarily 40 °C <sup>5)</sup> / max. fuse power dissipation <sup>1)</sup>	In open air In enclosure <sup>2)</sup>		A/W	16/3.5	20/3.5	25/3.5
...with minimum cable cross section	In enclosure with solid links		A	32	32	32
Rated operational voltage AC-20 and DC-20		Cu	mm <sup>2</sup>	2.5	2.5	4
Rated operational current, AC-21A			V	1 000	1 000	1 000
Rated operational current, AC-22A		up to 500 V	A	16	20	25
		690 V	A	16	20	25
Rated operational current, AC-23A		up to 500 V	A	16	20	25
		690 V	A	16	20	25
Rated operational current / poles in series DC-21A		48 V	A	16/2	20/2	25/2
		110-220 V	A	16/2	20/2	25/2
		440 V	A	16/4	20/4	25/4
Rated operational current / poles in series DC-22A		48 V	A	16/2	20/2	25/2
		110-220 V	A	16/2	20/2	25/2
		440 V	A	16/4	20/4	25/4
Rated operational current / poles in series DC-23A		48 V	A	16/2	20/2	25/2
		110-220 V	A	16/2	20/2	25/2
		440 V	A	16/4	20/4	25/4
Rated operational power, AC-23 <sup>4)</sup>	The kW-ratings are accurate for three-phase 1500 R.P.M. standard asynchronous motors.	230 V	kW	4	5.5	5.5
		400 V	kW	7.5	7.5	11
		415 V	kW	7.5	7.5	11
		500 V	kW	7.5	11	15
		690 V	kW	11	15	22
Rated breaking capacity in category AC-23		≤ 690 V	A	256	256	256
Rated breaking capacity / poles in series in category DC-23		up to 220 V	A	128/2	128/2	128/2
		440 V	A	128/4	128/4	128/4
Rated conditional short-circuit current I <sub>p</sub> (r.m.s.) and corresponding max. allowed cut-off current I <sub>c</sub>	at prospective SC-current	80 kA, 415 V	kA	9	9	9
	Max. OFA <sub>1</sub> fuse size gG / aM		A			
	at prospective SC-current	100 kA, 500 V	kA	8	8	8
The cut-off current I <sub>c</sub> refers to values listed by fuse manufacturers (single phase test acc. to IEC60269).	at prospective SC-current	50 kA, 690 V	kA	7	7	7
	Max. OFA <sub>1</sub> fuse size gG / aM		A			
	at prospective SC-current	80 kA, 690 V	kA	7.5	7.5	7.5
Rated short-time withstand current, 1 s.	r.m.s. -value		kA	1	1	1
Rated capacitor power when no initial charge on the capacitor	The capacitor rating of the switch-fuse is limited by the fuse link.	400 V	kVAr	5	10	12.5
		415 V	kVAr	5	10	12
		690 V	kVAr	8	15	20
Power loss / pole	With rated current, without fuse		W	0.8	1.3	1.3
Mechanical endurance	Divide by two for operation cycles		Oper.	20 000	20 000	20 000
Fuse types, IEC 60269-2-1	DIN 43620, Neozed DIN49522 NFC 63210, 63211 BS 88-2, -6 -size / distance of fuse-link bolts			D 01		
					A1	
					M4/44.5	
Weight without accessories	3-pole switch fuses 4-pole switch fuses		kg	0.7	0.7	0.7
			kg	0.9	0.9	0.9
Built-in terminal size		Cu	mm <sup>2</sup>	0.75...10	0.75...10	0.75...10
Terminal bolt size (included)	Metric thread diameter x length		mm			
Terminal tightening torque	Counter torque required		Nm	2	2	2
Fuse-links bolts tightening torque			Nm		2	
Operating torque	Typical for 3-pole switch fuses		Nm	3	3	3

\* = Utilization category B

<sup>1)</sup> Ambient temperature 60°C: derating 20%. Mounting on ceiling: derating 10%

<sup>2)</sup> OS160G: Mounting on wall, horizontal fuses: derating 5%

<sup>3)</sup> Max. fuse body diam. 32 mm

<sup>4)</sup> Some fuse links limit these figures further. Starting current characteristics must be considered separately

<sup>5)</sup> Acc. to IEC 60947-1, § 6.1.1. Minimum ambient temperature -5°C. Category B: -5°C...-35°C

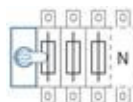
<sup>6)</sup> Max. fuse body diam. 22 mm

<sup>7)</sup> 3 Nm with cable sizes 2.5...6 mm<sup>2</sup>, 4 Nm with cable sizes 10...25 mm<sup>2</sup>

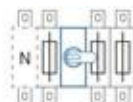


OS (Mini) 32	OS (Mini) 35	OS (Mini) 40	OS_ 32G	OS_ 50G	OS_ 63G	OS_ 100G	OS_ 125G	OS_ 160G
1 000	1 000	1 000	1 000	1 000	1 000	1 000	1 000	1 000
10	10	10	10	10	10	10	10	10
12	12	12	12	12	12	8	8	8
32/3.5	35/4	40/4.5	32/7.5	50/7.5	63/7.5	100/12	125/12	160/12
32/3.5	35/4	40/4.5	32/7.5	50/7.5	63/7.5	100/12	125/12	160/12
32	35	40						
6	10	10	6	10	16	50	50	70
1 000	1 000	1 000	1 000	1 000	1 000	1 000	1 000	1 000
32	35	40	32	50	63	100	125	160
32	35	40	32	50	63	100	125	160
32	35	40	32	50	63	100	125	160
32	35	40	32	50	63	100	125	160
32	35	40	32	50	63	100	125	160
32	35	40	32	50	63	100	125	160
32/2	32/2	32/2	32/2	50/2	63/2	100/2	125/2	160/2
32/2	32/2	32/2	32/2*	50/2*	63/2*	100/2*	125/2*	125/2*
32/4	32/4	32/4	32/4*	50/4*	50/4*	100/4*	125/4*	125/4*
32/2	32/2	32/2	32/2	50/2	63/2	100/2	125/2	160/2
32/2	32/2	32/2	32/2*	50/2*	63/2*	100/2*	125/2*	125/2*
32/4	32/4	32/4						
32/2	32/2	32/2	32/2	50/2	63/2	100/2	125/2	160/2
32/2	32/2	32/2	32/2*	50/2*	63/2*	100/2*	125/2*	125/2*
32/4	32/4	32/4						
7.5	7.5	11	7.5	11	18.5	30	37	45
15	15	18.5	15	22	30	55	55	75
15	15	18.5	15	22	30	55	55	75
18.5	22	22	18.5	30	37	55	75	90
22	30	30	22	37	55	90	110	132
256	280	320	504	504	504	1280	1280	1280
128/2	128/2	128/2	252/2	252/2	252/2	640/2	640/2	640/2
128/4	128/4	128/4						
9	9	9	13.5	13.5	13.5	23.5	23.5	23.5
			80/63	80/63	80/63	160/160	160/160	160/160
8	8	8	12.5	12.5	12.5	25.5	25.5	25.5
			63/50	63/50	63/50	160/160	160/160	160/160
7	7	7	9.5	9.5	9.5	17.5	17.5	17.5
			63/50	63/50	63/50	125/160	125/160	125/160
7.5	7.5	7.5	11.5	11.5	11.5	20.5	20.5	20.5
			50/50	50/50	50/50	125/160	125/160	125/160
1	1	1	2.5	2.5	2.5	5	5	5
15	15	15	15	20	25	40	50	60
15	15	15	15	25	32	42	55	65
25	25	25	25	42	50	75	90	100
2	2.4	3.5	1	2.5	4	4	5	9
20 000	20 000	20 000	20 000	20 000	20 000	20 000	20 000	20 000
	D 02	000	000		000		000, 00	000, 00
14x51				14x51			22x58	
A1, A2, F1			A2-A3 <sup>6)</sup>		A2-A3 <sup>6)</sup>	A2-A4 <sup>3)</sup>	A2-A4 <sup>3)</sup>	A2-A4 <sup>3)</sup>
M4/44.5 (A1)			M5/73		M5/73	M5/73, M8/94	M5/73, M8/94	M5/73, M8/94
M4/73 (A2)								
0.7	0.7	0.8	1.1	1.1	1.1	1.5	1.5	1.5
0.9	0.9	1.0	1.3	1.3	1.3	1.8	1.8	1.8
0.75...10	0.75...10	0.75...10	2.5...25	2.5...25	2.5...25			
						M8x25	M8x25	M8x25
2	2	2	3/4 <sup>7)</sup>	3/4 <sup>7)</sup>	3/4 <sup>7)</sup>	15-22	15-22	15-22
2			3.5		3.5	M5:3.5 M8:5	M5:3.5 M8:5	M5:3.5 M8:5
3	3	3	5	5	5	7	7	7

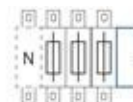
Placing options of the operating mechanism



At the end of the switch fuse OS\_03 or 04



Between the poles OS\_12 or 22



Side operated types OS\_30 or 40 OS\_03 or 04

# Technical data

## Switch fuses OS/OSM200...1250

### Technical data according to IEC 60947-3

		Switch size	A	OS_200_
Rated insulation voltage and rated operational voltage AC-20 and DC-20	Pollution degree 3		V	1000
Dielectric strength		50 Hz 1min.	kV	10
Rated impulse withstand voltage			kV	12
Rated thermal current in ambient 35 °C and temporarily in 40 °C <sup>5)</sup> / max. fuse power dissipation	In open air		A/W	200/17
...with minimum cable cross section	In enclosure		A/W	200/15
Rated thermal current of detachable neutral		Cu	mm <sup>2</sup>	95
Derating, mounting on wall horizontal fuses	In open air / Cu cable or bar cross section	In "N3" types	A/mm <sup>2</sup>	290/120
Derating, mounting on ceiling	In open air or ventilated enclosure		%	0
Derating at 60 °C	Totally enclosed		%	5
Rated operational current AC-21A			%	10
Rated operational current AC-22A	In open air / in enclosure		%	20/20
Rated operational current AC-23A		≤ 500 V	A	200
		690 V	A	200
		≤ 415 V	A	200
		500 V	A	200
		690 V	A	200
Rated operational current / poles in series DC-21A, DC-22A and DC-23A		≤ 220 V	A	200/1
		440 V	A	200/2
		660 V	A	200/3
		750 V	A	180/4
		880 V	A	180/4
Rated operational power AC-23 <sup>1)</sup>		230 V	kW	60
		400 V	kW	110
		415 V	kW	110
		500 V	kW	132
		690 V	kW	200
Rated breaking capacity AC-23		≤ 690 V	A	1600
Rated conditional short-circuit current I <sub>B</sub> (r.m.s.) and corresponding max. allowed cut-off current I <sub>c</sub>	at prospective SC-current	80 kA, 415 V	kA	35
	Max. OFA <sub>1</sub> fuse size gG/aM		A	250/200
The cut-off current I <sub>c</sub> refers to values listed by fuse manufacturers (single phase test acc. to IEC60269)	at prospective SC-current	100 kA, 500 V	kA	37.5
	Max. OFA <sub>1</sub> fuse size gG/aM		A	250/200
Rated short-time withstand current, 1s.	at prospective SC-current	80 kA, 690 V	kA	25
	Max. OFA <sub>1</sub> fuse size gG/aM		A	160/
Rated capacitor power when no initial charge of the capacitor	at prospective SC-current	50 kA, 415 V	kA	28
	Max. BS fuse size gG/gM		A	200/200M315
Power loss / pole	at prospective SC-current	80 kA, 690 V	kA	28
	Max. BS fuse size gG/gM		A	200/200M250
Mechanical endurance	r.m.s. -value		kA	8
	Max. distance from switch frame to nearest busbar/cable support	mm	150	150
	The capacitor ratings of the switch-fuses are limited by the fuse links	400 V	kVAr	90
		415 V	kVAr	100
Fuse types, IEC 60269-2	500 V	kVAr	120	
	690 V	kVAr	160	
Weight without accessories	With rated current, without fuse		W	8
Terminal bolt size (included)	Divide by two for operation cycles		Oper.	20 000
Terminal tightening torque	Sec. I, DIN 43620			0
	Sec. IA, NFC 0-3 Ref.A, 4a Ref.B			1
Fuse-links bolts tightening torque	Sec. II, BS 88			B1-B2
	Size / distance of fuse-link bolts		mm	M6/111
Operating torque	3-pole switch fuses		kg	2.6
	Metric thread diameter x length		mm	M8x25
	Counter torque required		Nm	15-22
			Nm	4
	Typical for 3-pole switch fuses		Nm	7

<sup>1)</sup> These values are given for guidance and may vary acc. to the motor manufacturer

<sup>2)</sup> Max fuse body dia 52 mm

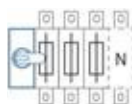
<sup>3)</sup> Max fuse body dia 62 mm

<sup>4)</sup> Category B

<sup>5)</sup> Acc. to IEC 60957-2, IEC 60947-1, § 6.1.1. Minimum ambient temperature -5°C. Category B: -5°C...-35°C

OS_250_	OS_315_	OS_400_	OS_630_	OS_800_	OS_1250_
1000	1000	1000	1000	1000	1000
10	10	10	10	10	10
12	12	12	12	12	12
250/23	315/32	400/45	630/60	800/65	1250/110
250/20	315/32	400/30	570/50	720/55	1000/85
120	185	240	2 x 185	2 x 240	2 x 400
290/120	450/240	450/240	900/2 X 240	900/2 x 240	1250/2 x 400
0	0	4	0	4	4
5	5	8	5	8	8
10	10	10	10	10	10
20/20	20/20	20/20	20/20	20/20	20/20
250	315	400	630	800	1250 <sup>4)</sup>
250	315	400	630	800	1250 <sup>4)</sup>
250	315	400	630	800	1250 <sup>4)</sup>
250	315	400	630	800	1250 <sup>4)</sup>
250	315	400	630	800	1000 <sup>4)</sup>
250	315	400	630	800	1000 <sup>4)</sup>
250/1	315/2	400/2	630/1 <sup>4)</sup>	800/1 <sup>4)</sup>	
250/2	315/3 <sup>4)</sup>	400/3 <sup>4)</sup>	630/2 <sup>4)</sup>	800/2 <sup>4)</sup>	
250/3	315/4 <sup>4)</sup>	400/4 <sup>4)</sup>	630/3 <sup>4)</sup>	720/3 <sup>4)</sup>	
230/4	315/4 <sup>4)</sup>	400/4 <sup>4)</sup>	630/4 <sup>4)</sup>	720/4 <sup>4)</sup>	
230/4			630/4 <sup>4)</sup>	720/4 <sup>4)</sup>	
75	100	132	200	250	315
140	160	220	355	450	560
145	180	230	355	450	560
170	220	280	450	560	710
250	315	400	630	710	1000
2000	3200	3200	6400	6400	8000
40.5		59	77	77	89
355/315		500/500	800/800	800/800	1250/1250
37.5		63.5	83	83	105
250/250		500/500	800/800	800/800	1250/-
32.5		46	55	55	88
200/250		315/400	500/630	500/630	1000/1000
28	44	44	67	67	90
250/200M315	400/400M500	400/400M500			
28	48	48	55	55	109
250/200M250	400/400M450	400/400M450			1250/-
8	14	14	18	18	40
150	150	150	150	150	
105	145	180	250	310	440
115	160	200	270	340	460
135	175	215	300	375	550
190	250	325	450	550	750
13	19	30	46	75	75
20 000	16 000	16 000	10 000	10 000	6000
0-1		0-2	3	3	4, 4 a
	2	3	3	4 a	
B1-B3 <sup>2)</sup>	B1-B4 <sup>3)</sup>	B1-B4 <sup>3)</sup>	C1-C2	C1-C3	D1
M8/111	M8/111	M8/111	M10/133, 184	M10/133, 184	2xM12/149
3.1	5.7	5.7	11.5	11.5	29
M10x30	M10x30	M10x30	M12x40	M12x40	M12x50
30-44	30-44	30-44	50-75	50-75	50-75
5	20	20	M10:30 M12:40	M10:30 M12:40	M12:40
7	19	19	38	38	65

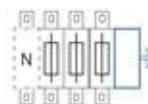
Placing options of the operating mechanism



At the end of the switch fuse OS\_03 or 04



Between the poles OS\_12 or 22



Side operated types OS\_30 or 40 OS\_03 or 04

# Technical data

## Special connected switch fuses

### OS125...400

#### Technical data according to IEC 60947-3

		Switch size	A	OS 125G
Rated insulation voltage and rated operational voltage AC-20 and DC-20	Pollution degree 3		V	1 000
Dielectric strength	50 Hz 1min.		kV	10
Rated impulse withstand voltage			kV	8
Rated thermal current in ambient 35 °C and temporarily 40 °C <sup>1)</sup> / max. fuse power dissipation <sup>1)</sup>			A/W	125/12
... with minimum cable or bar cross section	Cu		mm <sup>2</sup>	50
Rated thermal current in ambient 40 °C/ max. fuse power dissipation <sup>1)</sup>			A/W	
... with minimum cable or bar cross section	Cu		mm <sup>2</sup>	
Rated operational current, AC-21A, AC-22A, AC-23A	up to 690 V		A	125
Rated operational current/poles in series	48 V		A	125/2
DC-21A, DC-22A and DC23-A	110-220 V		A	125/2
	440 V		A	125/4*(DC-21A)
	660 V		A	
	750 V		A	
	880 V		A	
Rated operational power, AC-23 <sup>2)</sup>	The kW-ratings are accurate for three-phase 1500 R.P.M. standard asynchronous motors.	230 V	kW	37
		400 V/415 V	kW	55/55
		500 V/690 V	kW	75/110
Rated breaking capacity in category AC-23		up to 690 V	A	1280
Rated breaking capacity/poles in series in category DC-23		up to 220 V	A	640/2
Rated conditional short-circuit current $I_p$ (r.m.s.) and corresponding max. allowed cut-off current $\hat{i}_c$	at prospective SC-current	80 kA, 415 V	kA	23.5
	Max. OFA_ fuse size gG/aM		A	160/160
	at prospective SC-current	65 kA, 500 V	kA	
	Max. OFA_ fuse size gG/aM		A	
	at prospective SC-current	100 kA, 500 V	kA	25.5
	Max. OFA_ fuse size gG/aM		A	160/160
	at prospective SC-current	50 kA, 690 V	kA	17.5
	Max. OFA_ fuse size gG/aM		A	125/160
	at prospective SC-current	80 kA, 690 V	kA	20.5
	Max. OFA_ fuse size gG/aM		A	125/160
	at prospective SC-current	50 kA, 415 V	kA	
	Max. BS fuse size gG/gM		A	
	at prospective SC-current	80 kA, 415 V	kA	
	Max. BS fuse size gG/gM		A	
	at prospective SC-current	50 kA, 690 V	kA	
	Max. BS fuse size gG/gM		A	
	at prospective SC-current	80 kA, 690 V	kA	
	Max. BS fuse size gG/gM		A	
Rated short-time withstand current, 1s.	r.m.s. -value		kA	5
	Max. distance from switch frame to nearest busbar/cable support		mm	
Rated capacitor power when there is no initial charge on the capacitor	The capacitor rating of the switch-fuse is limited by the fuse link	400 V/415 V	kVAr	50/55
		690 V	kVAr	90
Power loss/pole	With rated current, without fuse	BB, BD, UB	W	5
		P_, L_, R_, _L, LR	W	
Mechanical endurance	Divide by two for operation cycles		Oper.	20 000
Fuse types, IEC 60269-2	DIN 43620	BB, BD, UB		000, 00
		P_, L_, R_, _L, LR		000, 00
	BS 88	BB, BD, UB		A2-A4 <sup>9)</sup>
	-size/distance of fuse-link bolts	BB, BD, UB	mm	M5/73, M8/94
	BS 88	P_, L_, R_, _L, LR		A2-A4 <sup>9)</sup>
	-size/distance of fuse-link bolts	P_, L_, R_, _L, LR	mm	M5/73, M8/94
Weight without accessories	3-pole/4-pole switch fuses		kg	1.5/1.8
Terminal bolt size	Metric thread diameter x length	BB, BD, UB	mm	M8x25
	Side terminals	P_, L_, R_, _L, LR	mm	
Terminal tightening torque	Counter torque required		Nm	15-22
Fuse-links bolts tightening torque		BB, BD, UB	Nm	M5:3.5 M8:5
		P_, L_, R_, _L, LR	Nm	
Operating torque	Typical for 3 and 4-pole switches		Nm	7

\* B category.

<sup>1)</sup> Ambient temperature 60 °C: derating 20%; mounting on ceiling: derating 10%; mounting on wall, horizontal fuses: derating 8%. OS160G: Mounting on wall, horizontal fuses: derating 5%.

<sup>2)</sup> Some fuse links limit these figures further. Starting current characteristics must be considered separately.

<sup>3)</sup> Plug in types: fuse size gG/aM:400/400.

<sup>4)</sup> Max fuse body dia 52 mm.

<sup>5)</sup> Side terminals tightening torque max 15 Nm.

<sup>6)</sup> Max fuse body dia 62 mm.

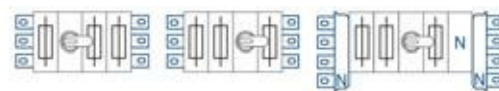
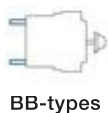
<sup>7)</sup> BS fuse manufacturers covered by this table ABB, MEM, Bussmann, GEC.

<sup>8)</sup> 3-pole types only.

<sup>9)</sup> Max fuse body dia 32 mm.

<sup>10)</sup> Acc. to IEC 60947-1, § 6.1.1. Minimum ambient temperature -5°C. Category B: -5°C...-35°C.

OS 160G	OS 200	OS 250	OS 315	OS 400
1 000	1 000	1 000	1 000	1 000
10	10	10	10	10
8	12	12	12	12
160/12				
70				
	200/17	250/23	315/32	400/45
	95	120	185	240
160	200	250	315	400
160/2	200/1	250/1	315/2	400/2
125/2*	200/1	250/1	315/2	400/2
125/4*(DC-21A)	200/2	250/2	315/3*	400/3*
	200/3	250/3	315/4*	400/4*
	180/4	230/4	315/4*	400/4*
	180/4	230/4		
45	60	75	100	110
75/75	100/110	132/140	170/180	220/230
90/132	140/180	170/240	220/295	280/355
1280	1600	2000	3200	3200
640/2				
23.5				
160/160				
	26	32,5		40.5
	200/-	250/-		400/-
25.5	30	37,5		63.5
160/160	200/200 <sup>9)</sup>	250 /250 <sup>9)</sup>		500/500 <sup>9)</sup> 3)
17.5	20	29,5		32
125/160	160/-	250/-		355/-
20.5	25	32,5		38
125/160	160/- <sup>9)</sup>	200/250 <sup>9)</sup>		355/400 <sup>9)</sup>
	21	26	28	34
	200/-	250/-	315/-	400/-
	30	30	50	50
	200/200M250 <sup>9)</sup>	250/200M250 <sup>9)</sup>	400/400M500 <sup>9)</sup>	400/400M500 <sup>9)</sup>
	20,5	28	30	38
	200/-	250/-	315/-	400/-
	28	28	48	48
	200/200M250 <sup>9)</sup>	250/200M250 <sup>9)</sup>	400/400M450 <sup>9)</sup>	400/400M450 <sup>9)</sup>
5	8	8	14	14
	150	150	150	150
60/65				
100				
9	8	13	19	30
	11	17	25	40
20 000	20 000	20 000	16 000	16 000
000, 00	0	0 - 1		0 - 2
000, 00		0 - 1		0 - 2
A2-A4 <sup>9)</sup>	B1 - B2 <sup>4)</sup>	B1 - B3 <sup>4)</sup>	B1 - B4 <sup>6)</sup>	B1 - B4 <sup>6)</sup>
M5/73, M8/94	M6/111	M8/111	M8/111	M8/111
A2-A4 <sup>9)</sup>	B1 - B3 <sup>4)</sup>	B1 - B3 <sup>4)</sup>	B1 - B4 <sup>6)</sup>	B1 - B4 <sup>6)</sup>
M5/73, M8/94	M8/111	M8/111	M8/111	M8/111
1.5/1.8	4.2/5.3	4.2/5.3	7.0/9.0	7.0/9.0
M8x25	M8x25	M10x30	M10x30	M10x30
	M8x16	M8x16	M8x16	M8x16
15-22	M8: 15-22 <sup>5)</sup> , M10: 30-44	M8: 15-22 <sup>5)</sup> , M10: 30-44	M8: 15-22 <sup>5)</sup> , M10: 30-44	M8: 15-22 <sup>5)</sup> , M10: 30-44
M5:3.5 M8:5	4	5	20	20
	5	5	20	20
7	7	7	19	19



# Technical data

## Fusible disconnect switches OS30...1200

	Switch size	A	OS Mini 30	OS 60G
Approvals		2 pole	-	UL/cULus <sup>4)</sup>
UL98, UL248, UL512		3 pole	UL/cULus	UL/cULus
CSA C 22.2 No 4, No 248		4 pole	UL/cULus	UL/cULus

### Technical data according to UL/cULus

General purpose amp rating	pf= 0.7...0.8	-40° to 40 °C	A	30	60
Max. operating voltage			VAC	600	600
			VDC	250	250
Max. horsepower rating / motor FLA current	pf= 0.4...0.5 Three phase	240 V	HP/A	7.5/22.0	15/42.0
			HP/A	15/21.0	30/40.0
			HP/A	20/22.0	50/52.0
	Single phase	240 V	HP/A	2/24.0	
			HP/A	3/17.0	
Short circuit rating with fuse, 3 and 4-pole types			kA	200	200
	UL/CSA fuse size		A	30	60
	UL/CSA fuse type			J/CC	J
Min. electrical endurance	pf= 0.75...0.8	operation cycles		6000	6000
Mechanical endurance		operation		20 000	20 000
Terminal lug kits				Integral	Integral
Wire range			AWG	#18-8	#14-4
Torque	Wire tightening		lb.in	17	30/35 <sup>5)</sup>
		Lug mounting	lb.in	N/A	N/A

### Technical data according to IEC 60947-3

Rated insulation voltage	Pollution degree 3		V	1 000	1 000
Dielectric strength		50 Hz 1min.	kV	10	10
			kV	12	
Rated impulse withstand voltage			kV	12	
Rated thermal current in ambient 40 °C / max. fuse power dissipation <sup>1)</sup>	In open air		A/W	32/3.5	63/7.5
	In enclosure <sup>2)</sup>		A/W	32/3.5	63/7.5
... with minimum cable cross section		Cu	mm <sup>2</sup>	6	16
	Rated operational current, AC-23A	up to 500 V	A	32	63
Rated operational power, AC-23 <sup>3)</sup>	The kW-ratings are accurate for three-phase 1500 R.P.M. standard asynchronous motors.	690 V	A	32	63
		230 V	kW	7.5	18.5
		400 V	kW	15	30
		415 V	kW	15	30
		500 V	kW	18.5	37
		690 V	kW	22	55
		690 V	A	256	504
Rated breaking capacity in category AC-23		up to 500 V	A	256	504
		690 V	A	256	504
Rated short-time withstand current, 1 s	r.m.s. -value		kA	1	2.5
Power loss / pole	With rated current, without fuse		W	2	4
Weight without accessories	3-pole switch fuses		kg	0.7	1.3
		4-pole switch fuses	kg	0.9	1.6
Built-in terminal size		Cu	mm <sup>2</sup>	0.75...10	2.5...25
Terminal bolt size (included)	Metric thread diameter x length		mm		
Fuse-links bolts tightening torque			Nm		

<sup>4)</sup> = Utilization category B

<sup>1)</sup> Ambient temperature 60 °C: derating 20%

<sup>2)</sup> Mounting on "ceiling": derating 10%. Mounting on wall, horizontal fuses: derating 8%.

<sup>3)</sup> Some fuse links limit these figures further. Starting current characteristics must be considered separately.

<sup>4)</sup> Approval pending

<sup>5)</sup> 30 lb.in with cable size #14-10, 35 lb.in with cable size #8-4

OS 100G	OS 200	OS 400	OS 600	OS 800	OS 1200
UL/cULus <sup>4)</sup>	UL/cULus	UL/cULus	UL/cULus	UL/cULus	UL/cULus
UL/cULus	UL/cULus	UL/cULus	UL/cULus	UL/cULus	UL/cULus
UL/cULus	UL/cULus	UL/cULus	UL/cULus	UL/cULus	UL/cULus

100	200	400	600	800	1200
600	600	600	600	600	600
250	250	250	250	250	250
30/80.0	60/154.0	125.0/312.0	200/480.0	250/602.0	
60/77.0	125/156.0	250.0/302.0	400/477.0	500/590.0	
75/77.0	150/144.0	350.0/336.0	500/472.0	500/472.0	

200	200	200	200	200	200
100	200	400	600	800	1200
J	J	J	J	L	L
6000	6000	1000	1000	500	500
20 000	16 000	12 000	4000	3000	2000
OZXA-24	OZXA-200	OZXA-400	OZXA-800	OZXA-800	OZXA-1200
#14-2/0	#4-300MCM	#2-600MCM	(2)#2-600MCM	(2)#2-600MCM	(4)#2-600MCM
120	275	375	500	500	500
50	72	240	480	480	480

1 000	1 000	1 000	1 000	1 000	1000
10	10	10	10	10	10
	12	12	12	12	12
160/12	200/17	400/45	630/60	800/65	1250/110
160/10, 135/12	200/15	400/30	570/50	720/55	1000/85
70	95	240	2x185	2x240	2x400
160	200	400	630	800	1000 *)
160	200	400	630	800	1000 *)
45	60	132	200	250	315 *)
75	110	220	355	450	560 *)
75	110	230	355	450	560 *)
90	132	280	450	560	710 *)
132	200	400	630	710	1000 *)
1280	1600	3200	6400	6400	8000
1280	1600	3200	6400	6400	8000
5	8	14	20	20	
9	8	30	46	75	75
1.5	2.6	5.7	11.5	11.5	29
1.8					

M6x20	M8x25	M10x30	M12x40	M12x40	M12x50
4	4	20	40	40	40

# Technical data, motor operators

## Motorized switch fuses OSM32...1250

Data for motor operator OSM according to IEC 60947		Switch size	A	32...63
Rated operational voltage $U_e$	Pollution degree 3 50/60 Hz		V AC	220 - 240
Operating voltage range				$0.85 - 1.1 \times U_e$
Operating time <sup>1)</sup>	90° I - 0, 0 - I	220-240VAC	s	0.5 - 1.0
Nominal current $I_n$ <sup>1)</sup>		220-240VAC	A	0.3
Current $I_{inrush}$ <sup>1)</sup>		220-240VAC	A	1.5
Overload fuse	Type / $I_n$ / Capacity Size	220-240VAC	mA mm	T / 315 / H 5x20
Operating rate	Cycle 0 - I - 0 Max. continuous Max. short-time $\leq 10$ cycles	220-240VAC 220-240VAC	cycles / min cycles / min	1 10
Overvoltage category				III
Rated impulse withstand voltage $U_{imp}$			kV	4
Dielectric strength		50 Hz 1 min.	kV	1.5
Impulse command		Min. impulse duration	ms	100
Terminals	Voltage supply wiring for $U_e$ Cross section	solid/stranded	PE - N - L mm <sup>2</sup>	PE - N - L 1.5 - 2.5
	Short-circuit protection device Push-button control	max.fuse size C - I - O	A	16 no SELV
	Cross section	solid/stranded	mm <sup>2</sup>	1.5 - 2.5
	Maximum cable length		m	100
State information of locking	Handle attached or motor operator locked Locking motor operator Short-circuit protection device	11-12-14 (C/O) 23-24 (NO) MCB type and size	$\cos\varphi=1$ $\cos\varphi=1$	no SELV 5A/250V 5A/250V C/2A IP20
Protection degree				IP20
Operating temperature			°C	-25...+55
Transportation and storage temperature			°C	-40...+70
Max. altitude			m	2000

<sup>1)</sup> Under nominal conditions



100...160	200...250	315...400	630...800	1250
220 - 240	220 - 240	220 - 240	220 - 240	220 - 240
0.85 - 1.1 x U <sub>e</sub>	0.85 - 1.1 x U <sub>e</sub>	0.85 - 1.1 x U <sub>e</sub>	0.85 - 1.1 x U <sub>e</sub>	0.85 - 1.1 x U <sub>e</sub>
0.5 - 1.0	0.5 - 1.0	0.5 - 1.2	0.5 - 1.5	0.8 - 2.0
0.3	0.3	0.5	0.9	1.4
1.5	1.5	2.5	4	10
T / 315 / H	T / 315 / H	T / 500 / H	T / 1000 / H	T / 2000 / H
5x20	5x20	5x20	5x20	5x20
1	1	1	1	0.5
10	10	10	10	5
III	III	III	III	
4	4	4	4	
1.5	1.5	1.5	1.5	
100	100	100	100	
PE - N - L	PE - N - L	PE - N - L	PE - N - L	
1.5 - 2.5	1.5 - 2.5	1.5 - 2.5	1.5 - 2.5	1.5 - 2.5
16	16	16	16	16
no SELV	no SELV	no SELV	no SELV	no SELV
1.5 - 2.5	1.5 - 2.5	1.5 - 2.5	1.5 - 2.5	1.5 - 2.5
100	100	100	100	100
no SELV	no SELV	no SELV	no SELV	no SELV
5A/250V	5A/250V	5A/250V	5A/250V	5A/250V
5A/250V	5A/250V	5A/250V	5A/250V	5A/250V
C/2A	C/2A	C/2A	C/2A	C/2A
IP20	IP20	IP20	IP20	IP20
-25...+55	-25...+55	-25...+55	-25...+55	-25...+55
-40...+70	-40...+70	-40...+70	-40...+70	-40...+70
2000	2000	2000	2000	2000

# Ordering information

## Switch fuses, DIN-type

OS40FD12000 (OS Mini)

S01382A



OS32G...63GD12P

S07000



OS125G...160GD12P

S07001



### Front operated switch fuses

Including terminal bolt kit in OS125G...160G, a black ON-OFF plastic handle and shaft as standard. The handle is IP65 protected, padlockable in the OFF-position and with door interlock in the ON-position. The shaft is adjustable for a range of installation depths.

Rated op. current AC-20...23A ≤ 690V [A]	Rated op. power AC-23A 400/500/690V [kW]	Fuse size	No. of poles	Type	Order number	Units/ type [pcs]	Weight/ unit [kg]
<b>Mechanism between the poles</b>							
Protected tunnel terminals, IP20							
40	18.5/22/30	000	3	OS40FD12000	1SCA108914R1001	1	0.8
40	18.5/22/30	000	4	OS40FD22000N1	1SCA108938R1001	1	1.0
32	15/18.5/22	000	2	OS32GD11P	1SCA116703R1001	1	1.0
32	15/18.5/22	000	3	OS32GD12P	1SCA114581R1001	1	1.3
32	15/18.5/22	000	4	OS32GD22N2P	1SCA115202R1001	1	1.6
32	15/18.5/22	000	4	OS32GD22FP	1SCA115205R1001	1	1.6
63	30/37/55	000	2	OS63GD11P	1SCA116711R1001	1	1.0
63	30/37/55	000	3	OS63GD12P	1SCA115227R1001	1	1.3
63	30/37/55	000	4	OS63GD22N2P	1SCA115230R1001	1	1.6
63	30/37/55	000	4	OS63GD22FP	1SCA115232R1001	1	1.6
Terminal bolt kit							
125	55/75/110	000, 00	2	OS125GD11P	1SCA116712R1001	1	1.2
125	55/75/110	000, 00	3	OS125GD12P	1SCA115641R1001	1	1.5
125	55/75/110	000, 00	4	OS125GD22N2P	1SCA115880R1001	1	1.8
125	55/75/110	000, 00	4	OS125GD22FP	1SCA116732R1001	1	1.8
160	75/90/132	000, 00	2	OS160GD11P	1SCA116713R1001	1	1.2
160	75/90/132	000, 00	3	OS160GD12P	1SCA115643R1001	1	1.5
160	75/90/132	000, 00	4	OS160GD22N2P	1SCA115884R1001	1	1.8
160	75/90/132	000, 00	4	OS160GD22FP	1SCA116855R1001	1	1.8

F = Fused switched neutral

N1 = Non-fused switched neutral on the left side

N2 = Non-fused switched neutral on the right side

### Shafts and handles included as standard

Suitable for switches	Included shaft	Included handle	Incl. terminal bolts
OS40F_ (OS Mini)	OXF6X150	OHB65J6	
OS32G...63G_P	OXF6X161	OHB45J6	
OS125G...160G_P	OXF6X161	OHB65J6	M8X25

# Ordering information

## Switch fuses, DIN-type

### OS200...250D22N2P

S02110A



### OS1250D12P

S07076



## Front operated switch fuses

Including terminal bolt kit, a black ON-OFF plastic handle and shaft as standard. The handle is IP65 protected, padlockable in the OFF-position and with door interlock in the ON-position. The shaft is adjustable for a range of installation depths. OS1250DA\_: a fuse replacement tool is integrated in the fuse cover.

Rated op. current AC-20...23A ≤ 690V [A]	Rated op. power AC-23A 400/500/690V [kW]	Fuse size	No. of poles	Type	Order number	Units/ type [pcs]	Weight/ unit [kg]
<b>Mechanism between the poles</b>							
200	110/132/200	3	00	OS200DZ12P	1SCA022820R9150	1	3.3
200	110/132/200	2	0	OS200D11P	1SCA022759R9650	1	2.4
200	110/132/200	3	0	OS200D12P	1SCA022721R3050	1	3.3
200	110/132/200	4	0	OS200D22N2P	1SCA022721R3130	1	4.2
250	145/170/250	2	0-1	OS250D11P	1SCA022752R8710	1	3.5
250	145/170/250	3	0-1	OS250D12P	1SCA022726R8380	1	4.3
250	145/170/250	4	0-1	OS250D22N2P	1SCA022726R8460	1	5.1
400	230/280/400	2	0-2	OS400D11P	1SCA110207R1001	1	5.4
400	230/280/400	3	0-2	OS400D12P	1SCA022753R3800	1	7.1
400	230/280/400	4	0-2	OS400D22N2P	1SCA022753R1770	1	9.1
630	355/450/630	2	3	OS630D11P	1SCA116381R1001	1	10.3
630	355/450/630	3	3	OS630D12P	1SCA022825R3810	1	13.6
630	355/450/630	4	3	OS630D22N2P	1SCA022825R4450	1	16.9
800	450/560/710	2	3	OS800D11P	1SCA116655R1001	1	10.3
800	450/560/710	3	3	OS800D12P	1SCA022825R5340	1	13.6
800	450/560/710	4	3	OS800D22N2P	1SCA022825R5510	1	16.9
1250A <sup>1)</sup>	560/710/1000	3	4	OS1250D12P	1SCA105246R1001	1	46
1250A <sup>1)</sup>	560/710/1000	4	4	OS1250D22N2P	1SCA107933R1001	1	55
1250A <sup>1)</sup>	560/710/1000	3	4a	OS1250DA12P	1SCA105241R1001	1	46
1250A <sup>1)</sup>	560/710/1000	4	4a	OS1250DA22N2P	1SCA107935R1001	1	55

N2 = Non-fused switched neutral on the right side

<sup>1)</sup> 1250A / AC-20...22A, 1000A / AC-23A

### Shafts and handles included as standard

Suitable for switches	Included shaft	Included handle	Incl. terminal bolts
OS200_P	OXp6X210	OHB65J6	M8X25
OS250_P	OXp6X210	OHB65J6	M10X30
OS400_P	OXp12X250	OHB95J12	M10X30
OS630...800_P	OXp12X280	OHB145J12	M12X40
OS1250_P	OXp12X395	OHB274J12	M12x50

# Ordering information

## Switch fuses, DIN-type

OS32G...63GD03P

A04172



OS125G...160GD03P

A04173



### Front operated switch fuses

Including terminal bolt kit in OS125G...160G, a black ON-OFF plastic handle and shaft as standard. The handle is IP65 protected, padlockable in the OFF-position and with door interlock in the ON-position. The shaft is adjustable for a range of installation depths.

Rated op. current AC-20...23A ≤ 690V [A]	Rated op. power AC-23A 400/500/690V [kW]	Fuse size	No. of poles	Type	Order number	Units/ type [pcs]	Weight/ unit [kg]
<b>Mechanism at the end of the switch fuse</b>							
Protected tunnel terminals, IP20							
32	15/18.5/22	000	2	OS32GD02P	1SCA116714R1001	1	1.0
32	15/18.5/22	000	3	OS32GD03P	1SCA115189R1001	1	1.3
32	15/18.5/22	000	4	OS32GD04N2P	1SCA115193R1001	1	1.6
32	15/18.5/22	000	4	OS32GD04FP	1SCA115196R1001	1	1.6
63	30/37/55	000	2	OS63GD02P	1SCA116715R1001	1	1.0
63	30/37/55	000	3	OS63GD03P	1SCA115207R1001	1	1.3
63	30/37/55	000	4	OS63GD04N2P	1SCA115209R1001	1	1.6
63	30/37/55	000	4	OS63GD04FP	1SCA115228R1001	1	1.6
Terminal bolt kit							
125	55/75/110	000, 00	2	OS125GD02P	1SCA116716R1001	1	1.2
125	55/75/110	000, 00	3	OS125GD03P	1SCA115639R1001	1	1.5
125	55/75/110	000, 00	4	OS125GD04N2P	1SCA115877R1001	1	1.8
125	55/75/110	000, 00	4	OS125GD04FP	1SCA115686R1001	1	1.8
160	75/90/132	000, 00	2	OS160GD02P	1SCA116717R1001	1	1.2
160	75/90/132	000, 00	3	OS160GD03P	1SCA115399R1001	1	1.5
160	75/90/132	000, 00	4	OS160GD04N2P	1SCA115882R1001	1	1.8
160	75/90/132	000, 00	4	OS160GD04FP	1SCA115402R1001	1	1.8

F = Fused switched neutral

N2 = Non-fused switched neutral on the right side

### Shafts and handles included as standard

Suitable for switches	Included shaft	Included handle	Incl. terminal bolts
OS32G...63G_P	OXp6X161	OHB45J6	
OS125G...160G_P	OXp6X161	OHB65J6	M8X25

# Ordering information

## Switch fuses, DIN-type

### OS200...250D03P

S02107A



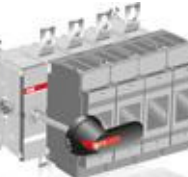
### OS200...250D03N3P

S02109A



### OS200...250D04\_P

S02108A



### OS400D03P

S01835A



## Front operated switch fuses

Including terminal bolt kit, a black ON-OFF plastic handle and shaft as standard. The handle is IP65 protected, padlockable in the OFF-position and with door interlock in the ON-position. The shaft is adjustable for a range of installation depths.

Rated op. current AC-20...23A ≤ 690V [A]	Rated op. power AC-23A 400/500/690V [kW]	Fuse size	No. of poles	Type	Order number	Units/ type [pcs]	Weight/ unit [kg]
<b>Mechanism at the end of the switch fuse</b>							
200	110/132/200	00	3	OS200DZ03P	1SCA022797R3440	1	3.3
200	110/132/200	00	4	OS200DZ04N2P	1SCA022820R9230	1	4.2
200	110/132/200	0	2	OS200D02P	1SCA022759R9220	1	2.4
200	110/132/200	0	3	OS200D03P	1SCA022709R9500	1	3.3
200	110/132/200	0	3+N	OS200D03N3P	1SCA022749R8710	1	3.4
200	110/132/200	0	4	OS200D04N2P	1SCA022709R9680	1	4.2
200	110/132/200	0	4	OS200D04FP	1SCA022725R4750	1	4.2
250	145/170/250	0-1	2	OS250D02P	1SCA022760R0170	1	3.5
250	145/170/250	0-1	3	OS250D03P	1SCA022719R0090	1	4.3
250	145/170/250	0-1	3+N	OS250D03N3P	1SCA022749R9430	1	4.4
250	145/170/250	0-1	4	OS250D04N2P	1SCA022719R2380	1	5.1
250	145/170/250	0-1	4	OS250D04FP	1SCA022726R8620	1	5.1
400	230/280/400	0-2	2	OS400D02P	1SCA022811R2740	1	5.4
400	230/280/400	0-2	3	OS400D03P	1SCA022719R0250	1	7.1
400	230/280/400	0-2	3+N	OS400D03N3P	1SCA022753R9320	1	7.5
400	230/280/400	0-2	4	OS400D04N2P	1SCA022719R2460	1	9.1
400	230/280/400	0-2	4	OS400D04FP	1SCA022753R7110	1	9.1

F = Fused switched neutral, N2 = Non-fused switched neutral on the right side  
N3 = Include a detachable neutral link integrated into the mechanism

### Shafts and handles included as standard

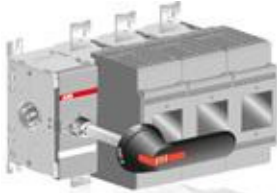
Suitable for switches	Included shaft	Included handle	Incl. terminal bolts
OS200_P	OSP6X210	OHB65J6	M8X25
OS250_P	OSP6X210	OHB65J6	M10X30
OS400_P	OSP12X250	OHB95J12	M10X30

# Ordering information

## Switch fuses, DIN-type

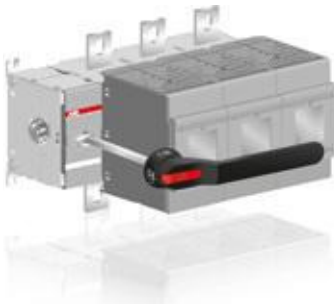
OS630...800D03P

KE00036



OS1250D03P

507075



### Front operated switch fuses

Including terminal bolt kit, a black ON-OFF plastic handle and shaft as standard. The handle is IP65 protected, padlockable in the OFF-position and with door interlock in the ON-position. The shaft is adjustable for a range of installation depths. OS1250DA\_: a fuse replacement tool is integrated in the fuse cover.

Rated op. current AC-20...23A ≤ 690V [A]	Rated op. power AC-23A 400/500/690V [kW]	Fuse size	No. of poles	Type	Order number	Units/ type [pcs]	Weight/ unit [kg]
<b>Mechanism at the end of the switch fuse</b>							
630	355/450/630	3	2	OS630D02P	1SCA107745R1001	1	10.3
630	355/450/630	3	3	OS630D03P	1SCA022825R2830	1	13.6
630	355/450/630	3	3+N	OS630D03N3P	1SCA100858R1001	1	14.5
630	355/450/630	3	4	OS630D04N2P	1SCA022825R4290	1	16.9
630	355/450/630	3	4	OS630D04FP	1SCA022825R4610	1	16.9
800	450/560/710	3	2	OS800D02P	1SCA022837R2650	1	10.3
800	450/560/710	3	3	OS800D03P	1SCA022825R4880	1	13.6
800	450/560/710	3	3+N	OS800D03N3P	1SCA100859R1001	1	14.5
800	450/560/710	3	4	OS800D04N2P	1SCA022825R5180	1	16.9
800	450/560/710	3	4	OS800D04FP	1SCA022825R5000	1	16.9
1250A <sup>1)</sup>	560/710/1000	4	2	OS1250D02P	1SCA114051R1001	1	37
1250A <sup>1)</sup>	560/710/1000	4	3	OS1250D03P	1SCA105475R1001	1	46
1250A <sup>1)</sup>	560/710/1000	4	3+N	OS1250D03N3P	1SCA107932R1001	1	47
1250A <sup>1)</sup>	560/710/1000	4	4	OS1250D04N2P	1SCA105248R1001	1	55
1250A <sup>1)</sup>	560/710/1000	4	4	OS1250D04FP	1SCA105473R1001	1	55
1250A <sup>1)</sup>	560/710/1000	4a	2	OS1250DA02P	1SCA114059R1001	1	37
1250A <sup>1)</sup>	560/710/1000	4a	3	OS1250DA03P	1SCA105238R1001	1	46
1250A <sup>1)</sup>	560/710/1000	4a	3+N	OS1250DA03N3P	1SCA107934R1001	1	47
1250A <sup>1)</sup>	560/710/1000	4a	4	OS1250DA04N2P	1SCA105243R1001	1	55
1250A <sup>1)</sup>	560/710/1000	4a	4	OS1250DA04FP	1SCA105240R1001	1	55

F = Fused switched neutral, N2 = Non-fused switched neutral on the right side

N3 = Include a detachable neutral link integrated into the mechanism

<sup>1)</sup> 1250A / AC-21...22A, 1000A / AC-23A

### Shafts and handles included as standard

Suitable for switches	Included shaft	Included handle	Incl. terminal bolts
OS630...800_P	OXP12X280	OHB145J12	M12X40
OS1250_P	OXP12X395	OHB274J12	M12x50

# Ordering information

## Switch fuses, DIN-type

OS32G...63G03K

S07002



OS125G...160GD03K

S07003



### Front operated switch fuses with direct mounted handle

Including terminal bolt kit in OS125G...160G, a black Test-OFF-ON plastic handle and shaft as standard. The handle is padlockable in the OFF-position. Types OS1250DA\_: a fuse replacement tool is integrated in the fuse cover.

Rated op. current	Rated op. power		No. of	Type	Order number	Units/ type	Weight/ unit
AC-20...23A	AC-23A		Fuse size			[pcs]	[kg]
≤ 690V	400/500/690V		poles				
[A]	[kW]						
<b>Mechanism at the end of the switch fuse</b>							
Protected tunnel terminals, IP20							
32	15/18.5/22	000	3	OS32GD03K	1SCA116733R1001	1	1.3
32	15/18.5/22	000	4	OS32GD04N2K	1SCA116734R1001	1	1.6
32	15/18.5/22	000	4	OS32GD04FK	1SCA116737R1001	1	1.6
63	30/37/55	000	3	OS63GD03K	1SCA116738R1001	1	1.3
63	30/37/55	000	4	OS63GD04N2K	1SCA116876R1001	1	1.6
63	30/37/55	000	4	OS63GD04FK	1SCA116739R1001	1	1.6
Terminal bolt kit							
125	55/75/110	000, 00	3	OS125GD03K	1SCA116878R1001	1	1.5
125	55/75/110	000, 00	4	OS125GD04N2K	1SCA116740R1001	1	1.8
125	55/75/110	000, 00	4	OS125GD04FK	1SCA116741R1001	1	1.8
160	75/90/132	000, 00	3	OS160GD03K	1SCA116742R1001	1	1.5
160	75/90/132	000, 00	4	OS160GD04N2K	1SCA116743R1001	1	1.8
160	75/90/132	000, 00	4	OS160GD04FK	1SCA116880R1001	1	1.8

F = Fused fourth pole  
N2 = Non-fused switched neutral on the right side

### Shafts and handles included as standard

Suitable for switches	Included shaft	Included handle	Incl. terminal bolts
OS32G...63G_K		OSV200BK	-
OS125G...160G_K		OSV200BK	M8X25

# Ordering information

## Switch fuses, DIN-type

OS200...250D03K  
S02013A



### Front operated switch fuses with direct mounted handle

Including terminal bolt kit, a black Test-OFF-ON plastic handle and shaft as standard. The handle is padlockable in the OFF-position. Types OS1250DA\_: a fuse replacement tool is integrated in the fuse cover.

Rated op. current AC-20...23A ≤ 690V [A]	Rated op. power AC-23A 400/500/690V [kW]	Fuse size	No. of poles	Type	Order number	Units/ type [pcs]	Weight/ unit [kg]
<b>Mechanism at the end of the switch fuse</b>							
Terminal bolt kit							
200	110/132/200	0	3	OS200D03K	1SCA022764R7130	1	3.3
200	110/132/200	0	4	OS200D04N2K	1SCA022768R7430	1	4.2
250	145/170/250	0-1	3	OS250D03K	1SCA022763R6360	1	4.3
250	145/170/250	0-1	4	OS250D04N2K	1SCA022763R6440	1	5.1
400	230/280/400	0-2	3	OS400D03K	1SCA022779R5410	1	7.0
400	230/280/400	0-2	4	OS400D04N2K	1SCA022763R7250	1	9.0
630	355/450/630	3	3	OS630D03K	1SCA108704R1001	1	13
630	355/450/630	3	4	OS630D04N2K	1SCA108705R1001	1	16
800	450/560/710	3	3	OS800D03K	1SCA108725R1001	1	13
800	450/560/710	3	4	OS800D04N2K	1SCA108722R1001	1	16
1250A <sup>1)</sup>	560/710/1000	4	3	OS1250D03K	1SCA108718R1001	1	45
1250A <sup>1)</sup>	560/710/1000	4	4	OS1250D04N2K	1SCA108719R1001	1	54
1250A <sup>1)</sup>	560/710/1000	4a	3	OS1250DA03K	1SCA108720R1001	1	45
1250A <sup>1)</sup>	560/710/1000	4a	4	OS1250DA04N2K	1SCA108721R1001	1	54

N2 = Non-fused switched neutral on the right side

<sup>1)</sup> 1250A / AC-20...22A, 1000A / AC-23A

### Shafts and handles included as standard

Suitable for switches	Included shaft	Included handle	Incl. terminal bolts
OS200_K		OSV250DK	M8X25
OS250_K		OSV250DK	M10X30
OS400_K		OSV400DK	M10X30
OS630...800_K		OSV800DK	M12X40
OS1250_K		OSV1250DK	M12x50