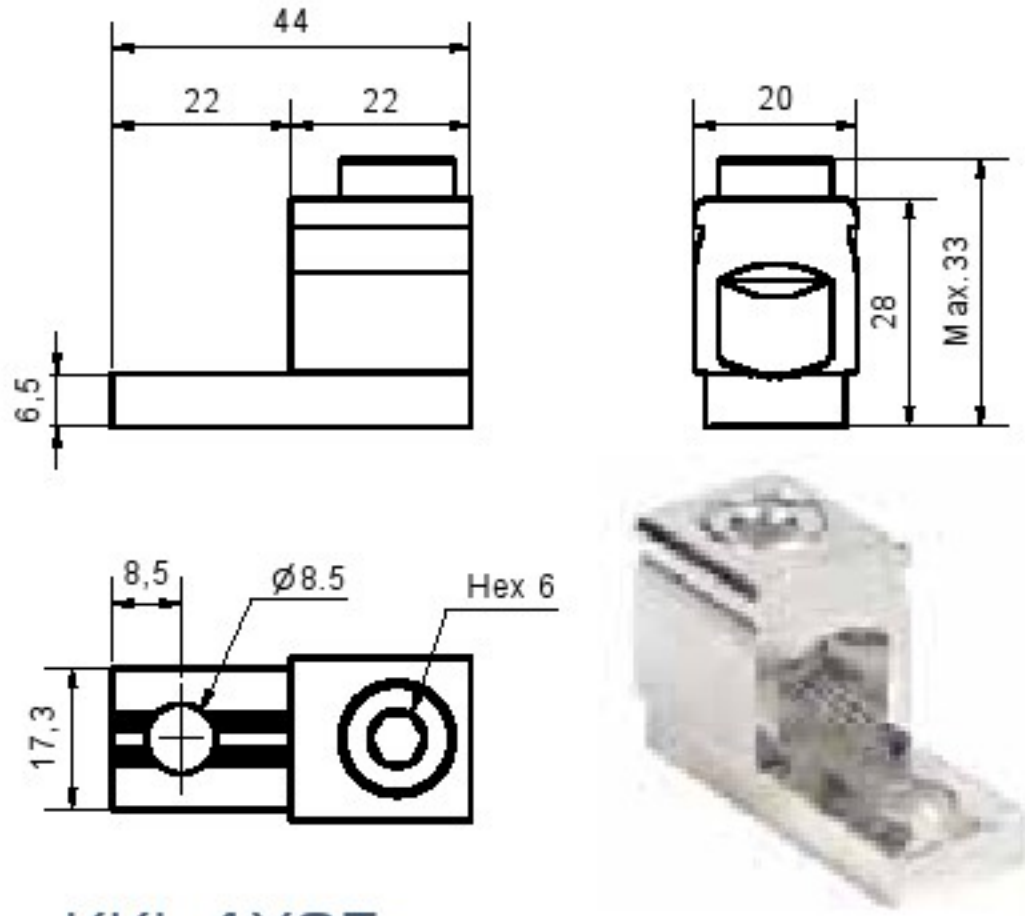
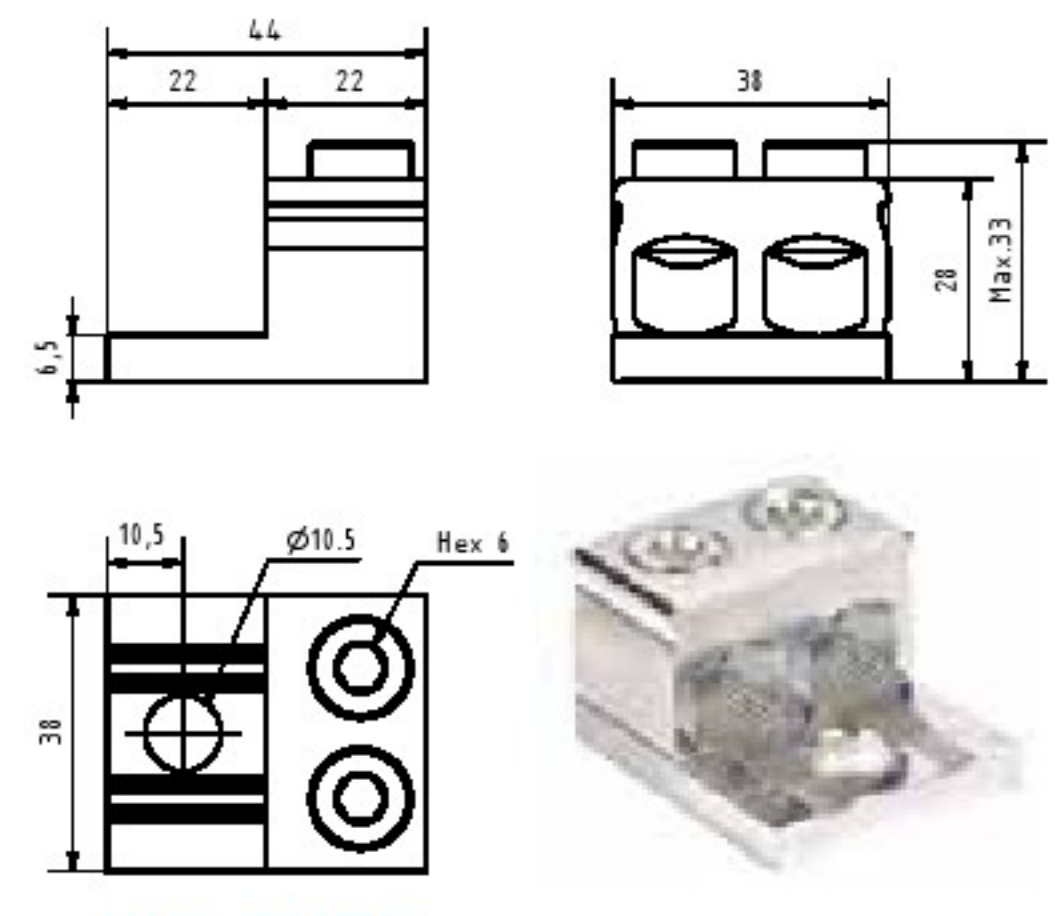


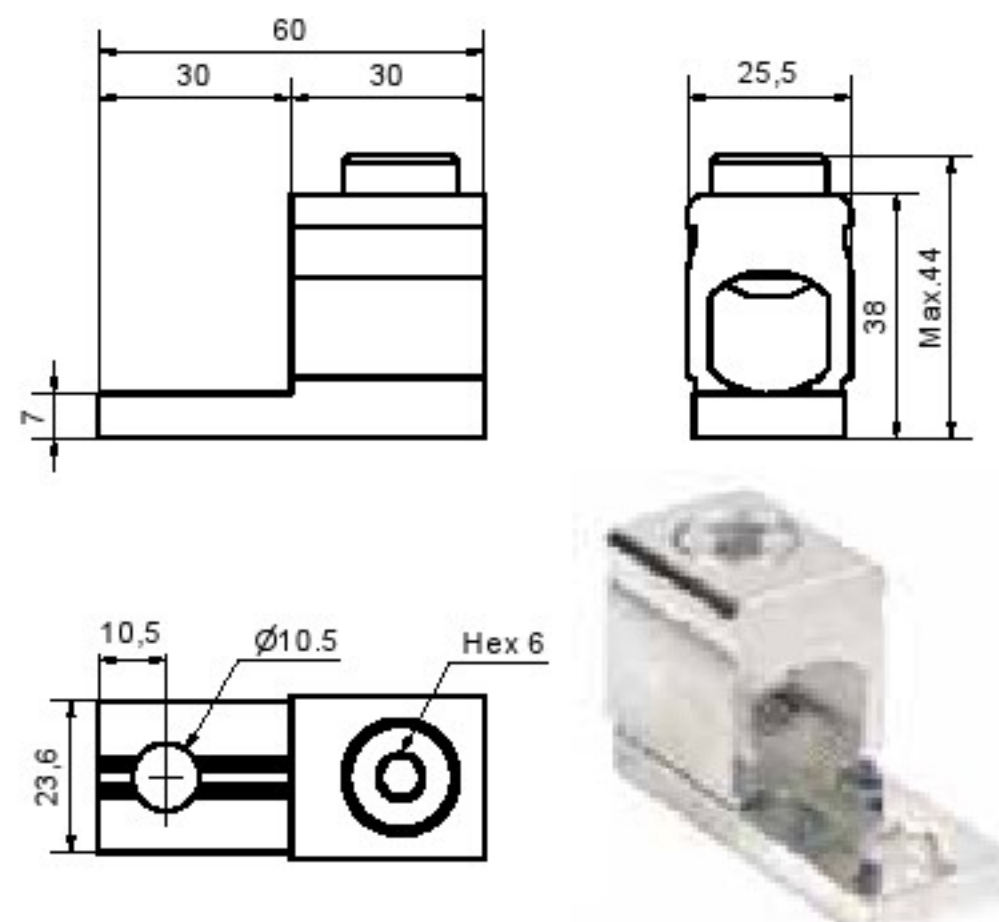
CABLE CONNECTORS



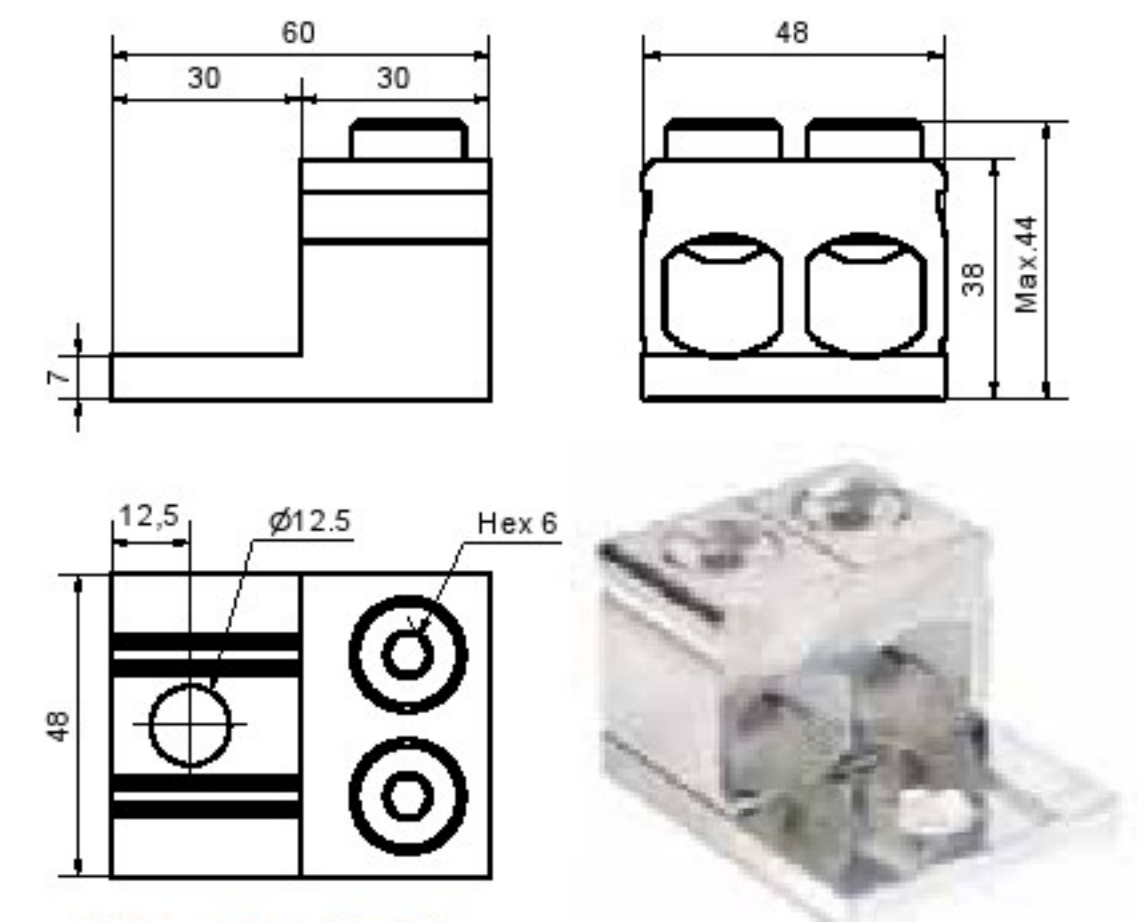
KKL 1X95



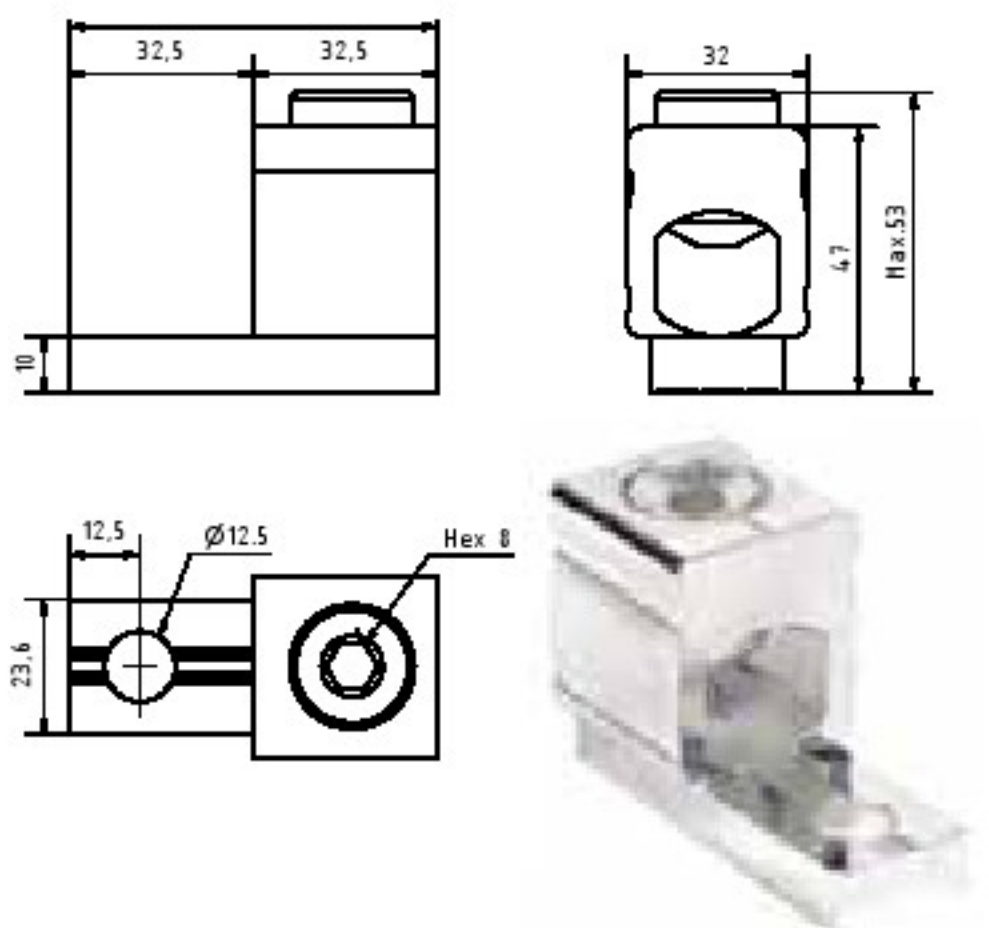
KKL 2X95



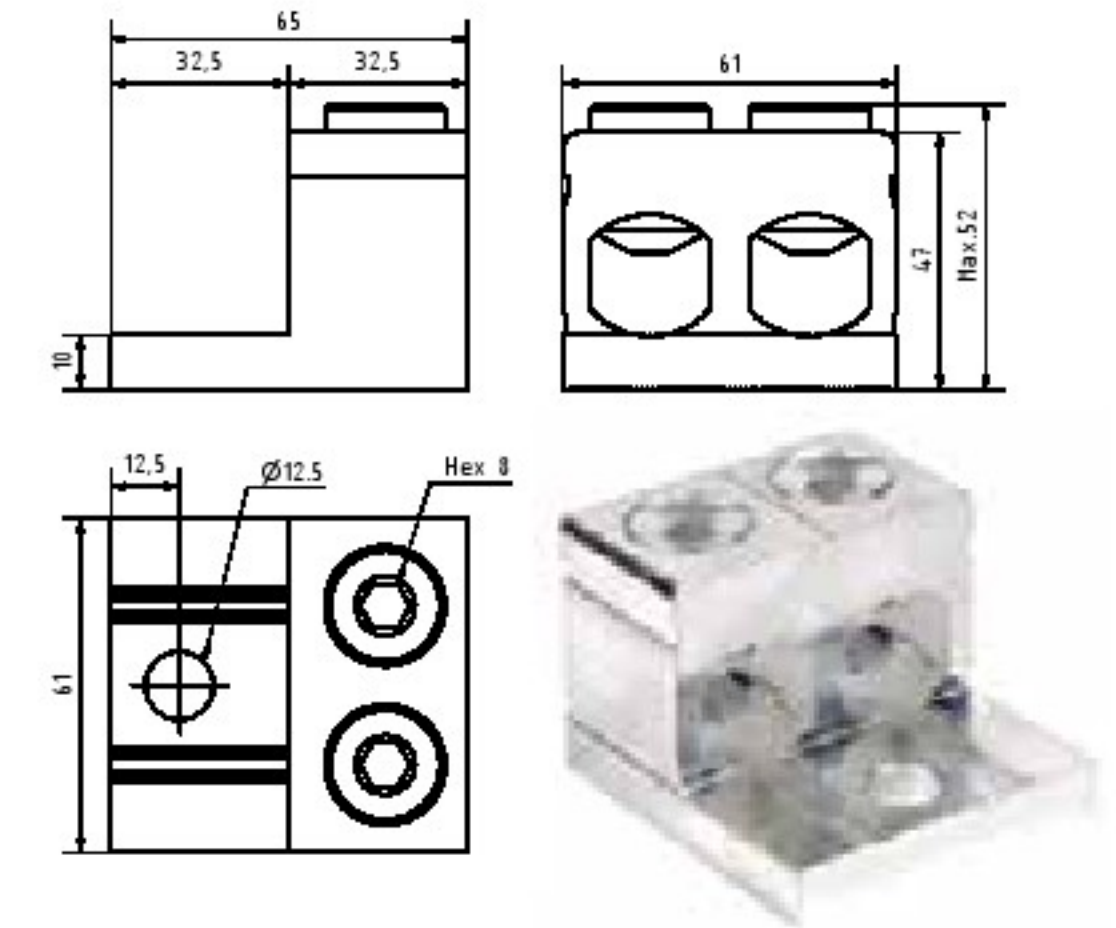
KKL 1X150



KKL 2X 150



KKL 1X240



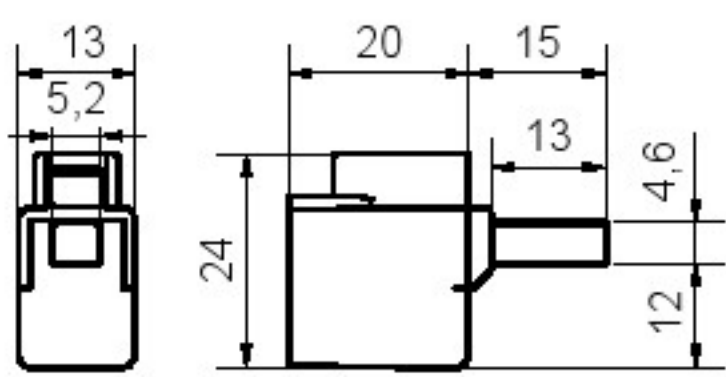
KKL 2X240

Type	Un (V)	In (A)	Al mm ²	Cu mm ²	Torque Al/Cu (Nm)	Number of conductors	Allen key size	Mounting	EAN-code	Weight (kg)
KKL 1x16	690	63	1.5-16	1.5-16	2.5	1	Hex 3	Direct	6419410358887	0,010
KKL 1x50	690	63	16-50	2.5-50	6 (2.5-6mm ²)	1	Hex 5	Direct	6419410358108	0,019
KKL 1x50M					12 (10-50mm ²)				6419410358122	
KKL 1x120T.1	690	160	16-120	16-120	12 (16-35mm ²)	1	Hex 6	Direct	6419410358962	0,037
KKL 1X120T.2					22 (50-120mm ²)				6419410358986	
KKL 1X120T.3									6419410359006	
KKL 1X120TM									6419410358375	
KKL 1X50R	690	160	16-50	2.5-50	6 (2.5-6mm ²) 12 (10-50mm ²)	1	Hex 5	Bolt M8	6419410358894	0,011
KKL 2X50	690	320	16-50	16-50	6 (2.5-6mm ²) 12 (10-50mm ²)	2	Hex 5	Bolt M8	6419410358900	0,023
KKL 1X95	690	200	25-95	25-95	12 (25-50mm ²)	1	Hex 6	Bolt M8	6419410358924	0,030
KKL 2X 95		400			22 (70-95mm ²)			2	Bolt M10	
KKL 1X150	690	315	25-150	25-150	12 (25-50mm ²)	1	Hex 6	Bolt M10	6419410359020	0,073
KKL 2X150		630			35 (120-150mm ²)			2	Bolt M12	
KKL 1X240	690	400	35-240	35-240	25 (35-120mm ²)	1	Hex 6	Bolt M12	6419410359068	0,113
KKL 2X 240		800			55 (150-240mm ²)			2	Hex 8	

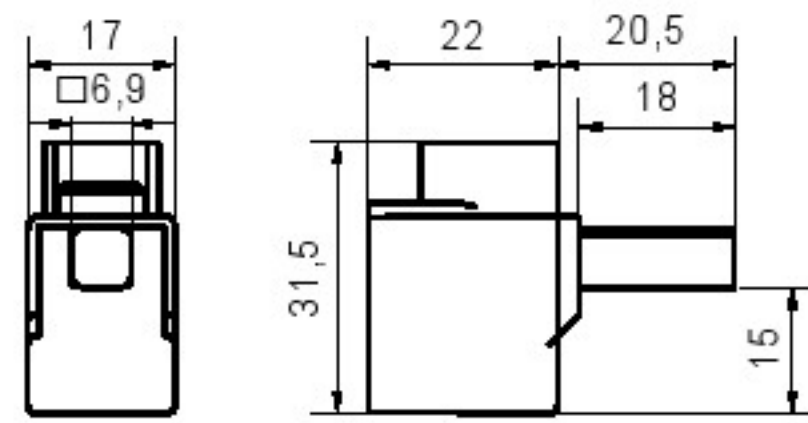


- Suitable for 1.5-240 mm² Al/Cu cables:
- Material: tin-coated aluminium
- In accordance with VDE 0220 part 1/11.71 and 2/11.71, SEN 24 50 12, SFS 2663 and IEC 61238-1
- Environmentally friendly materials

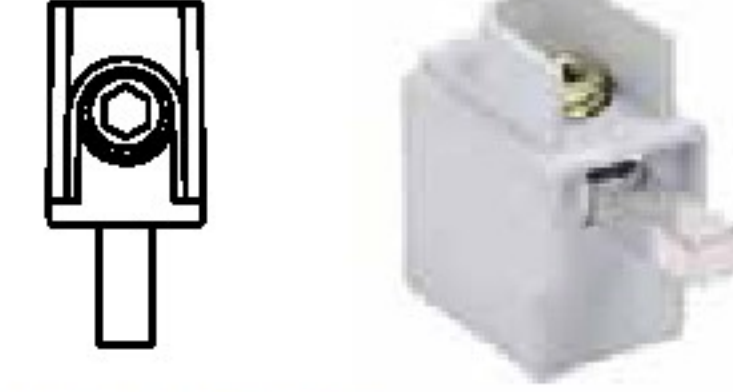
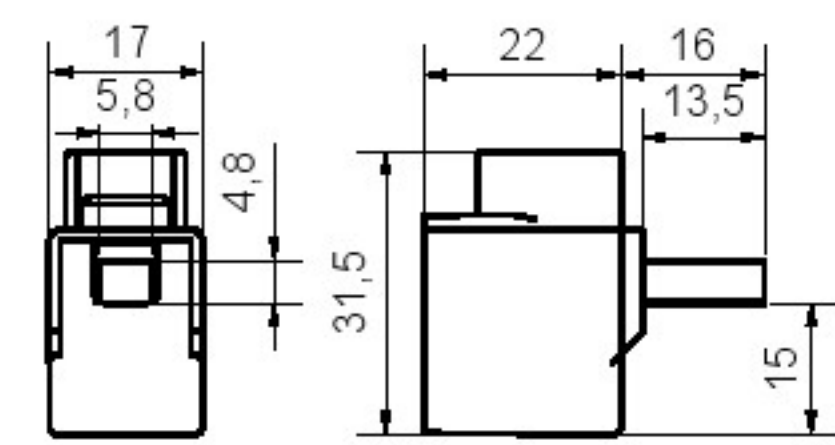
DIMENSIONAL DRAWINGS



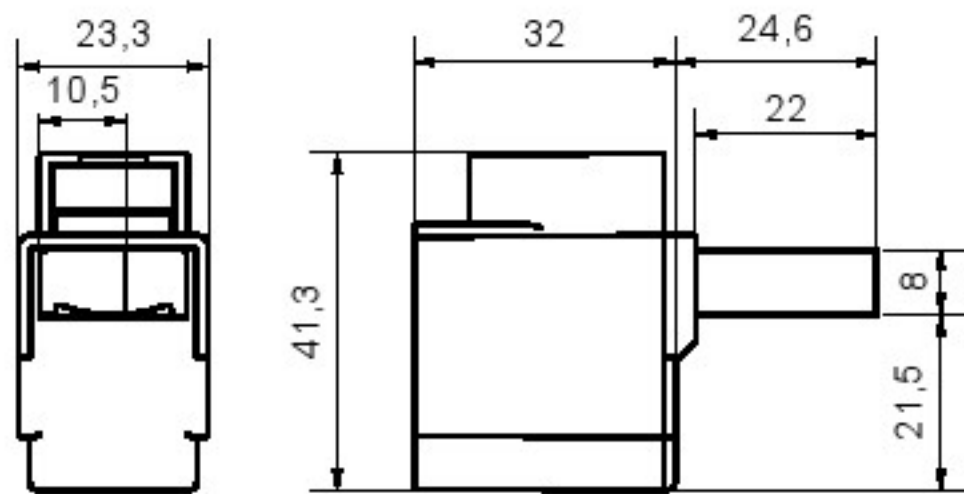
KKL 1X16



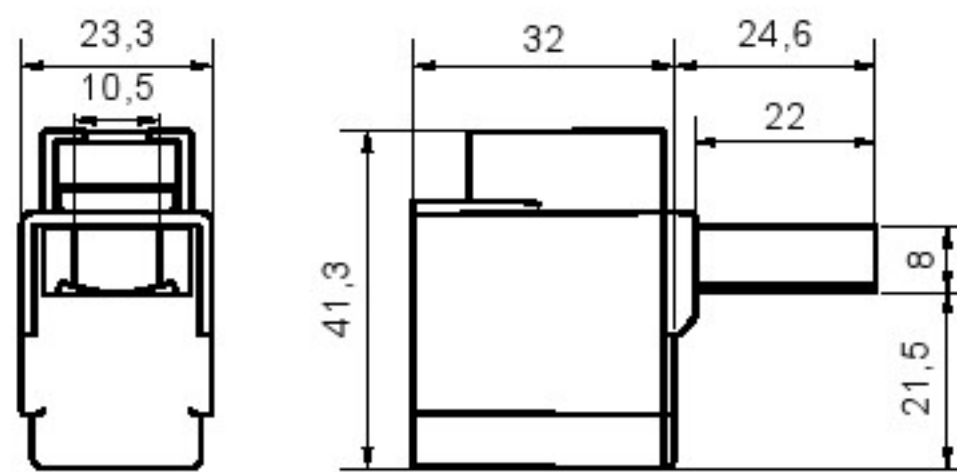
KKL 1X50



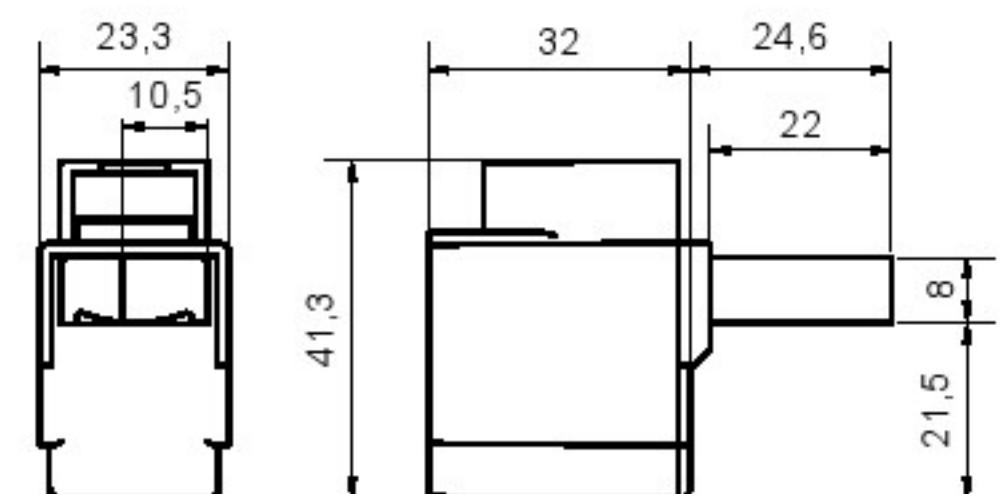
KKL 1X50M



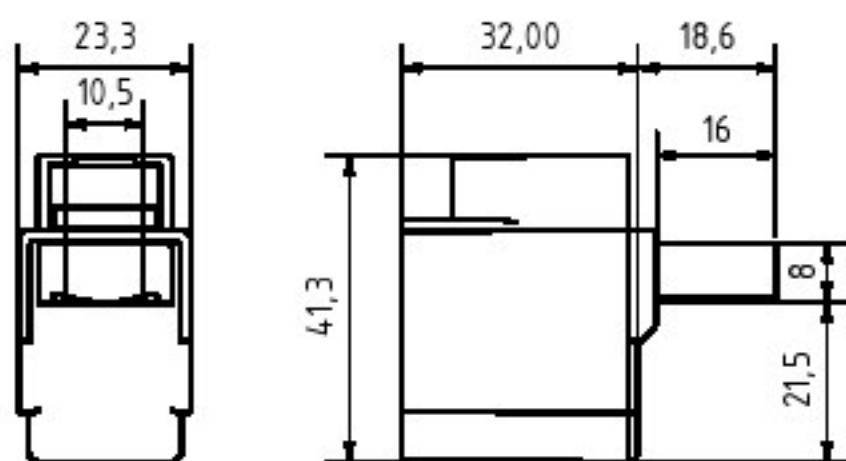
KKL 1X120T1



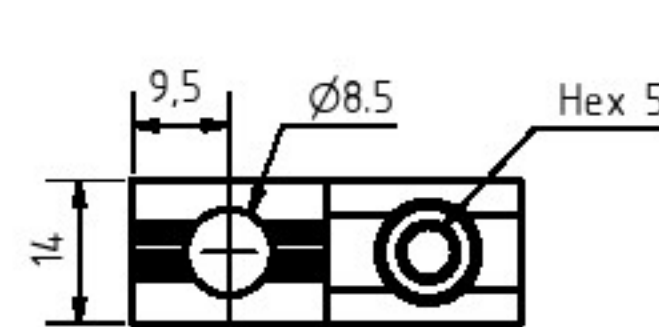
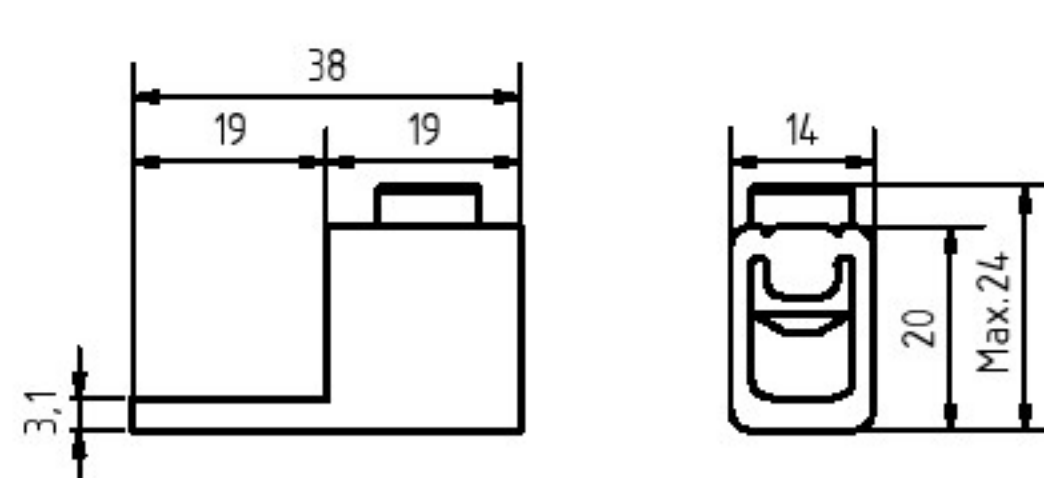
KKL 1X120T2



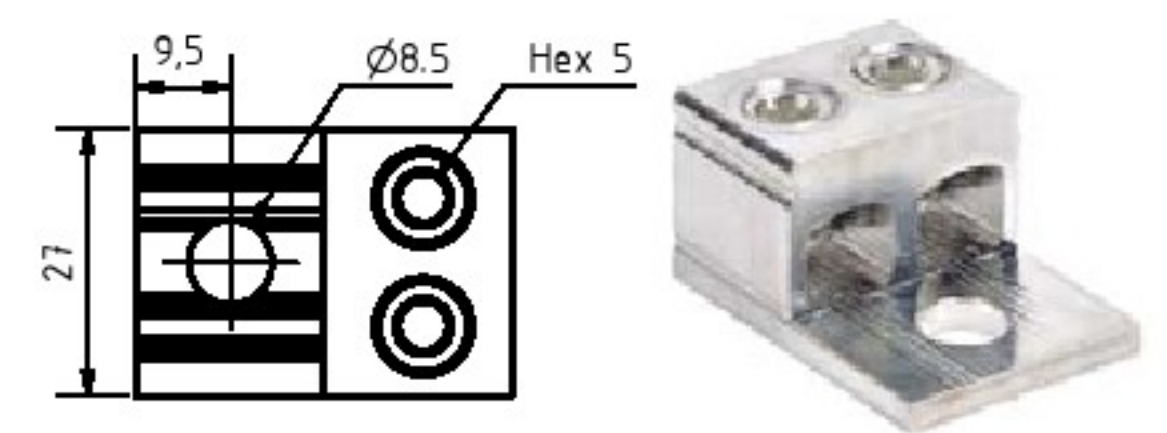
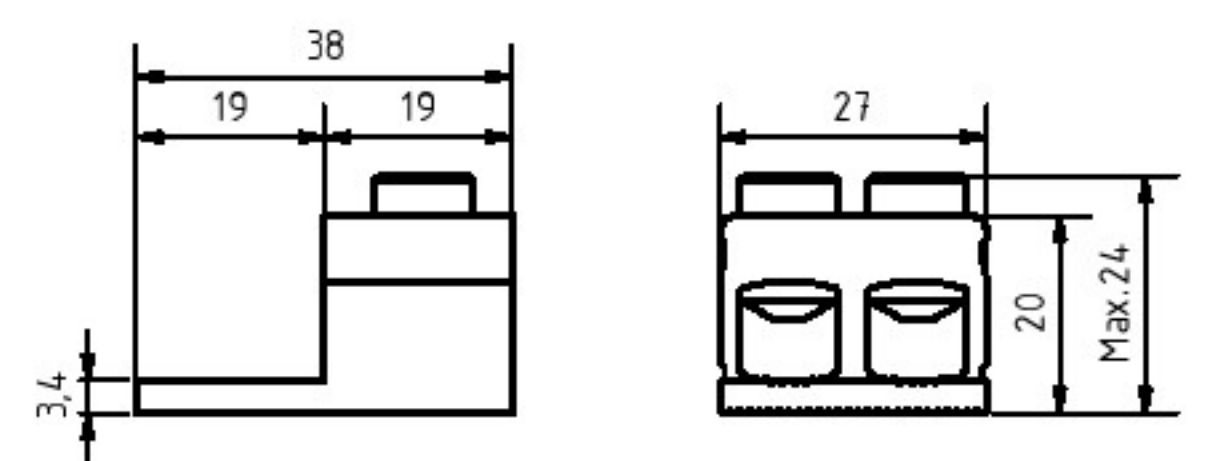
KKL 1X120T3



KKL 1X120TM



KKL 1X50R



KKL 2X50