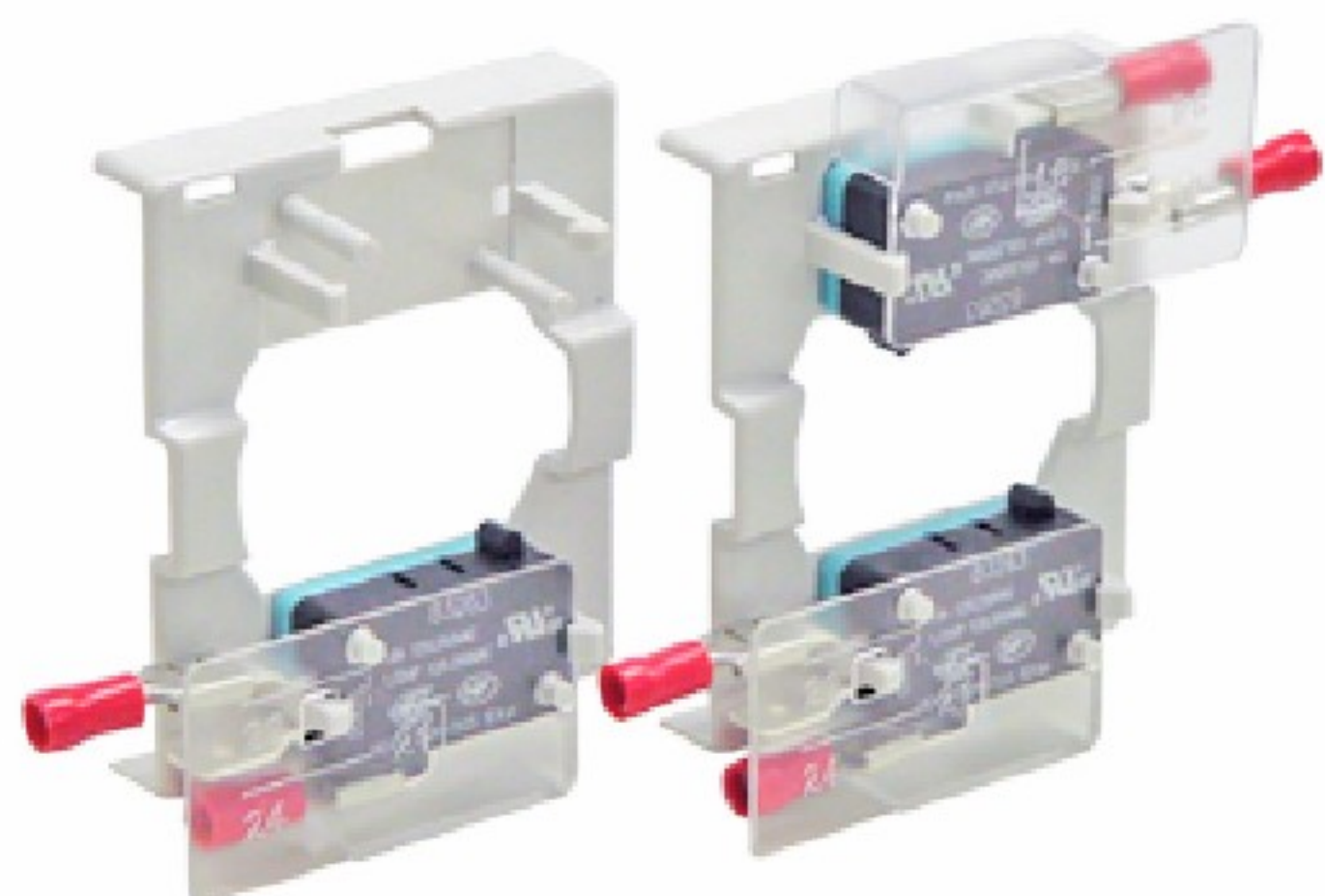


ACCESSORIES AUXILIARY CONTACTS



KU 1.V & KU 2.V

- 1NO+1NC
- 2NO+2NC
- For KU, VKA and VKE switches
- For KVKE switch fuses
- Available with door mounting kit (OKA) with black or yellow/red handle (Y/R)
- Early break, late make
- 16 (4) A 250 VAC (EN 6 1058-1)

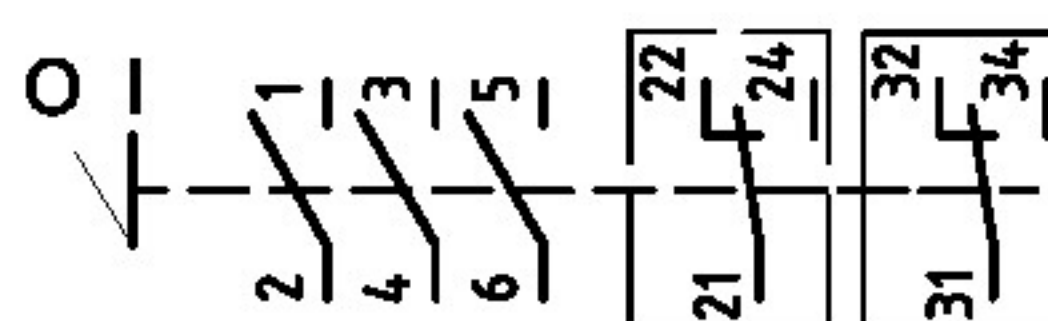


VKA 1.V & VKA 2.V

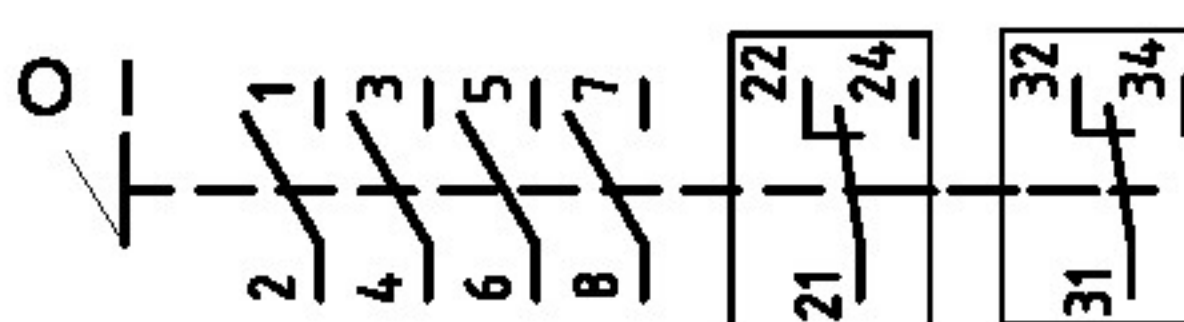


KVKE 1.V

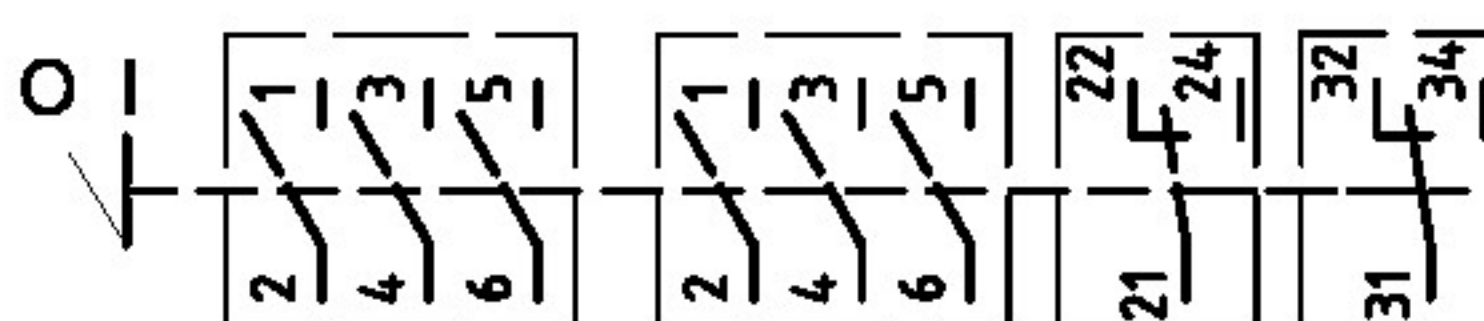
SWITCH DIAGRAMS:



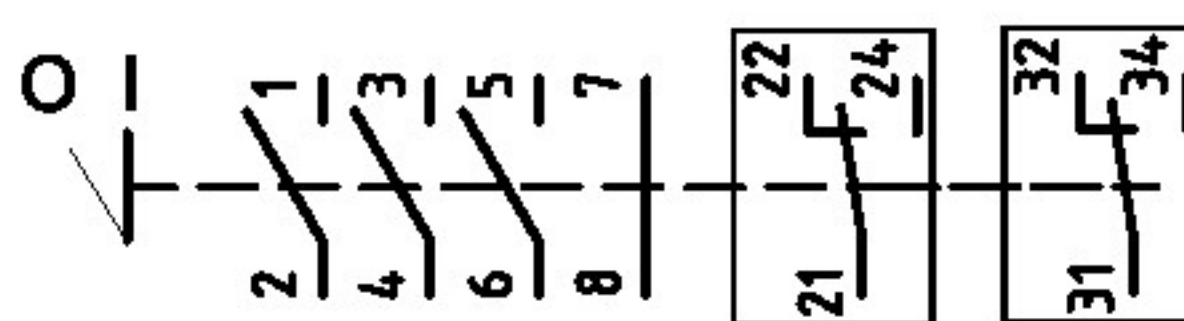
3 pole + 2NC/NO



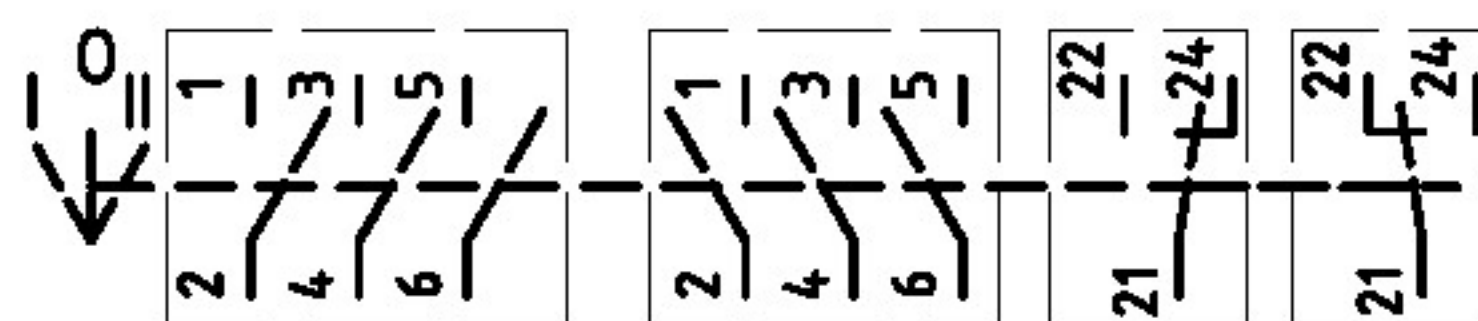
4 pole + 2NC/NO



6 pole + 2NC/NO

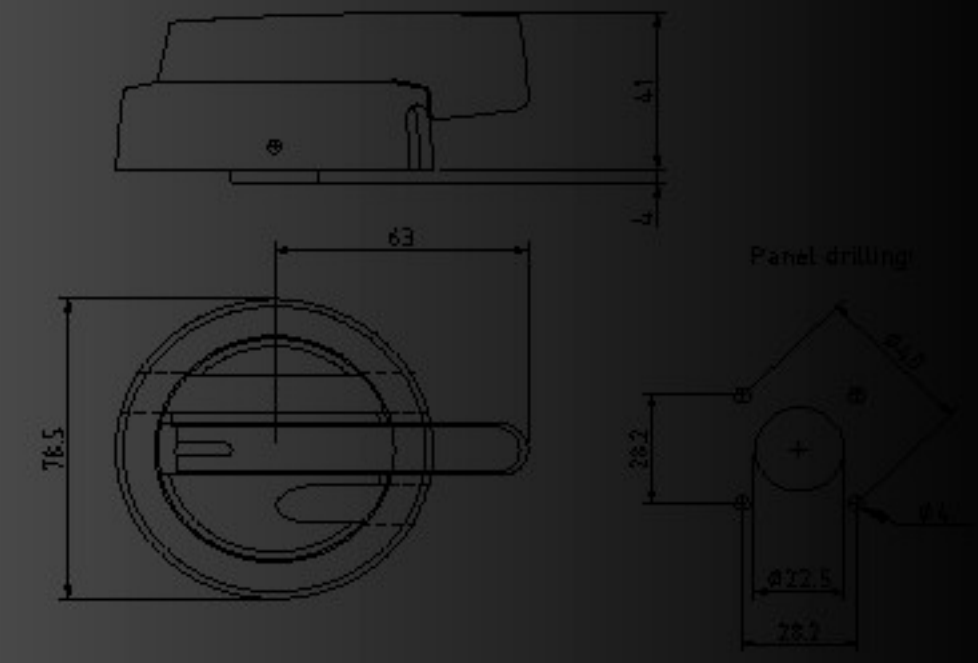
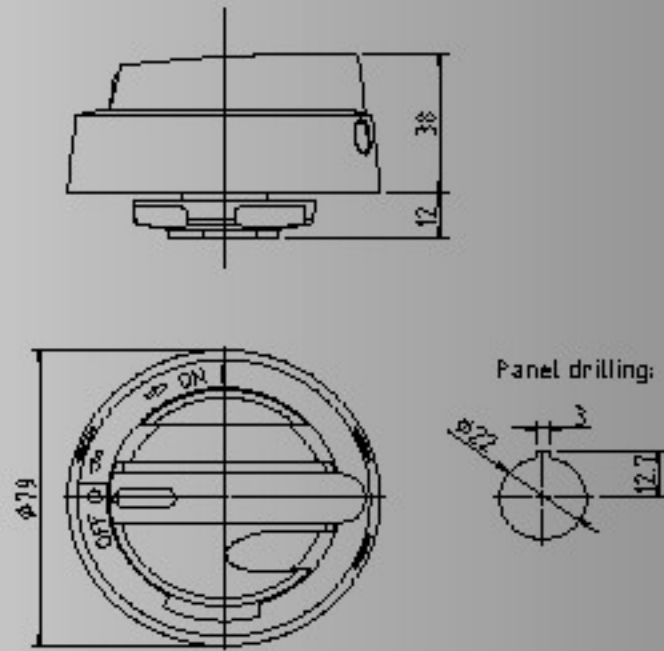


3 pole + NT + 2NC/NO

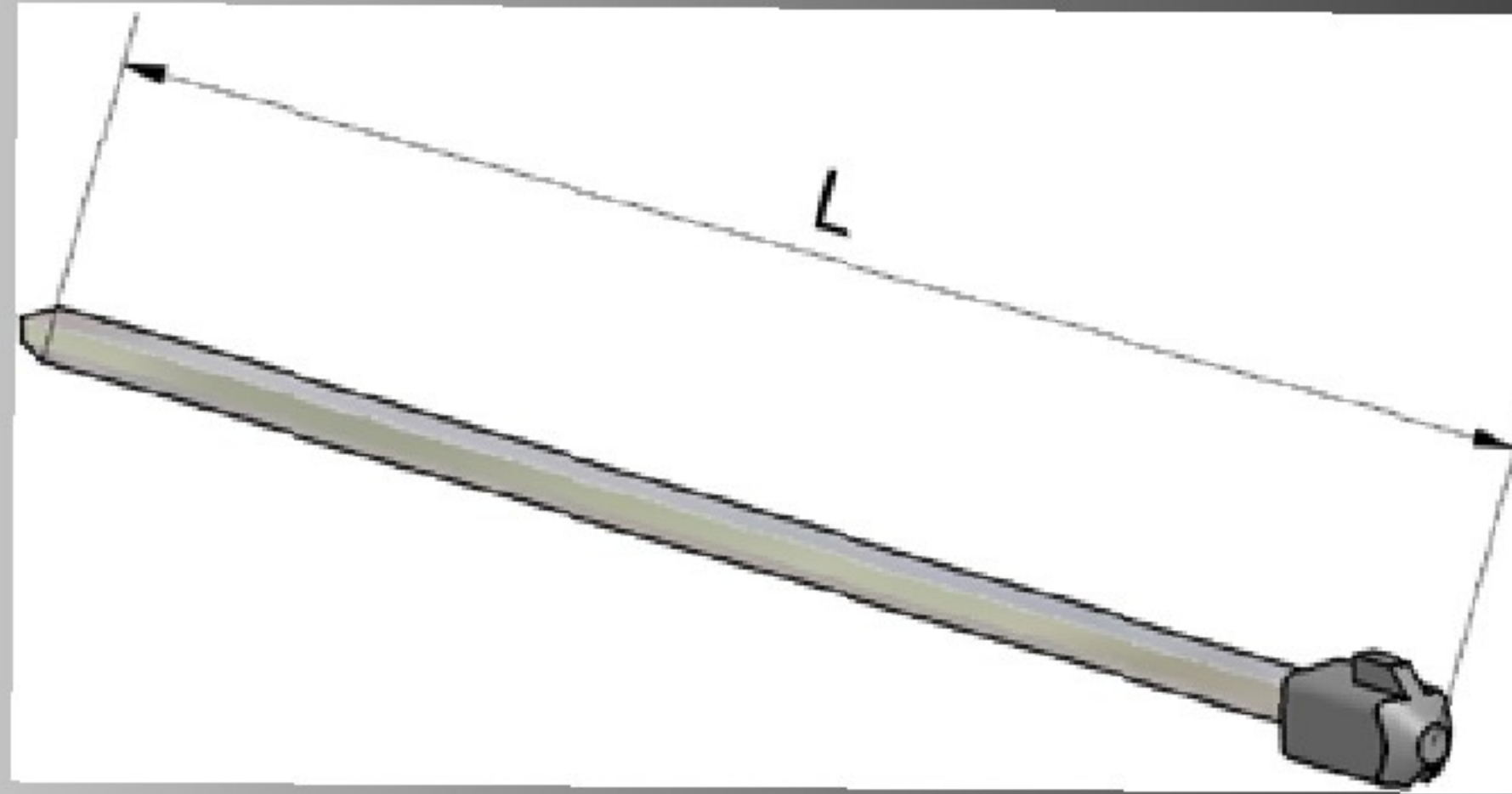


Change-over 3 pole + 2NC/NO

Type	For	Description	EAN-code
Auxiliary contacts			
KU1.V	KU 16-125 A	1NO/1NC	6419410300008
KU2.V		2NO/2NC	6419410300107
VKA 1.V	VKA 125-160 A	1NO/1NC	6419410300206
VKA 2.V		2NO/2NC	6419410300305
VKAC 1.V	VKA 200-250 A	1NO/1NC	6419410300800
VKAC 2.V		2NO/2NC	6419410300909
KVKEC 1.V	VKE/KVKE 20-32 A	1NO/1NC	6419410285039
KVKEC 2.V		2NO/2NC	6419410285046
KVKE 1.V	VKE/KVKE 63-630 A	1NO/1NC	6419410286982
KVKE 2.V		2NO/2NC	6419410287781
VV 1.V	KU3P/4P VV	1NO/1NC	6419410300756



Type	Colour	Description	EAN-code
LK10UL	Black	Type 4X rating	6419410222577
LK10UL Y/R	Yellow/red	Type 4X rating	6419410222584
LK11UL	Black	Type 4X rating	6419410222515
LK11UL Y/R	Yellow/red	Type 4X rating	6419410222522



Type	Description	EAN-code
L=100 AD11	Length 100 mm, aluminium	6419410253106
L=200 AD11	Length 200 mm, aluminium	6419410253113
L=300 AD11	Length 300 mm, aluminium	6419410253120
L=100 AD11/VT	Length 100 mm, steel, slanted	6419410253168
L=200 AD11/VT	Length 200 mm, steel, slanted	6419410253175
L=300 AD11/VT	Length 300 mm, steel, slanted	6419410253182



-16 A 1/2 HP 125/250 VAC



Type	For	Description	EAN-code
KU1.V	KU	1NO+1NC	6419410300008
KU2.V	KU	2NO+2NC	6419410300107
VKA 1.V	VKA	1NO+1NC	6419410300206
VKA 2.V	VKA	2NO+2NC	6419410300305