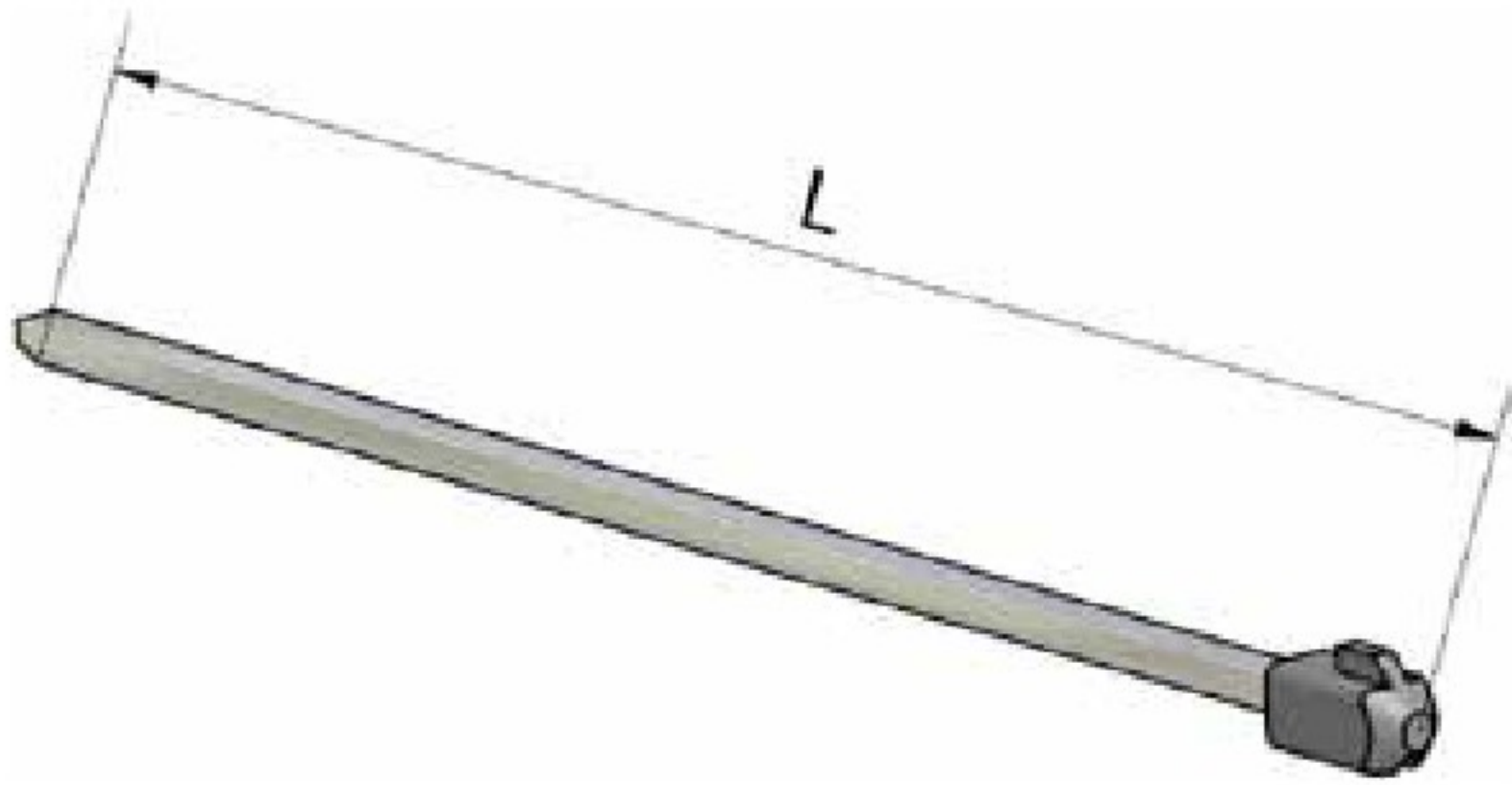
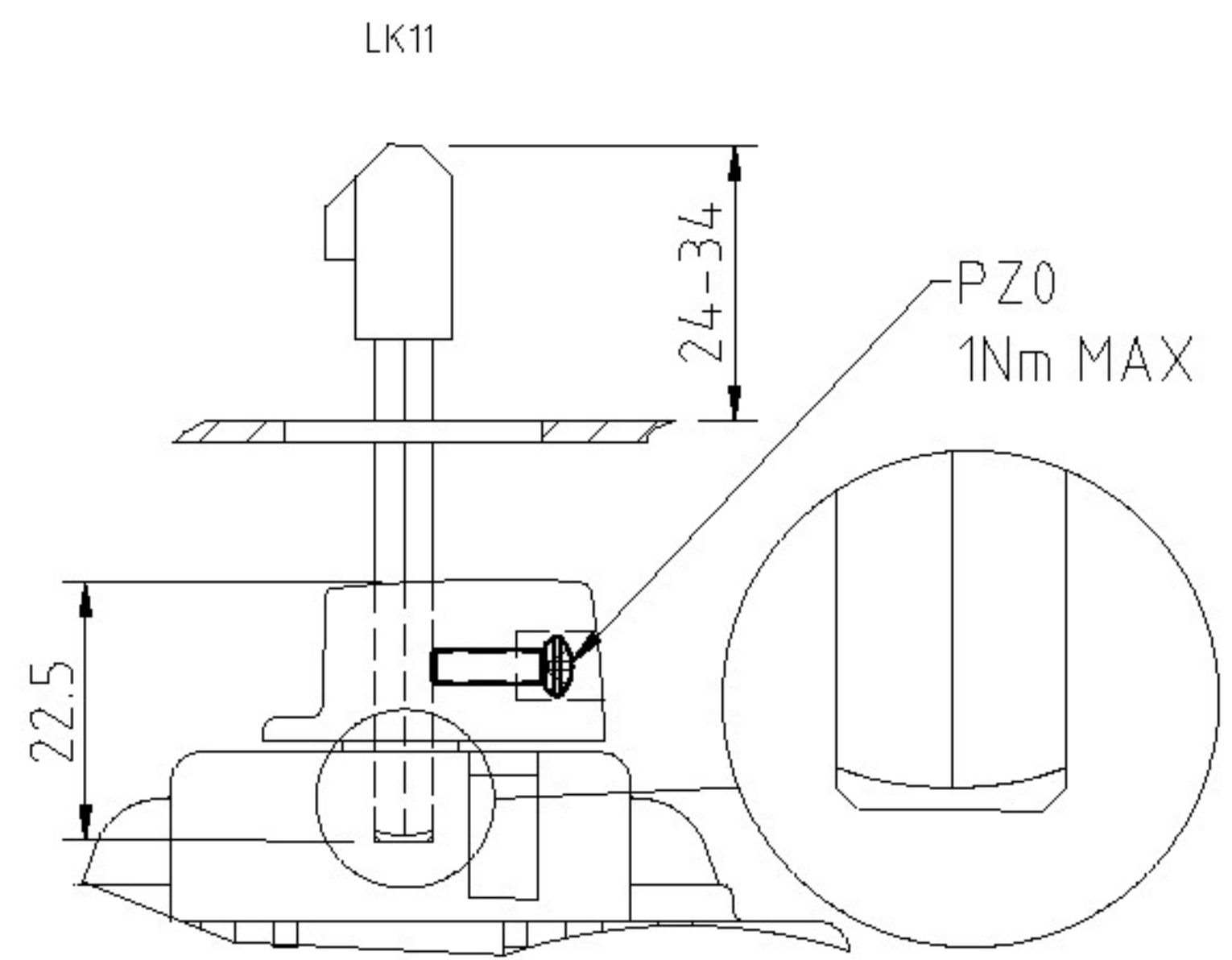
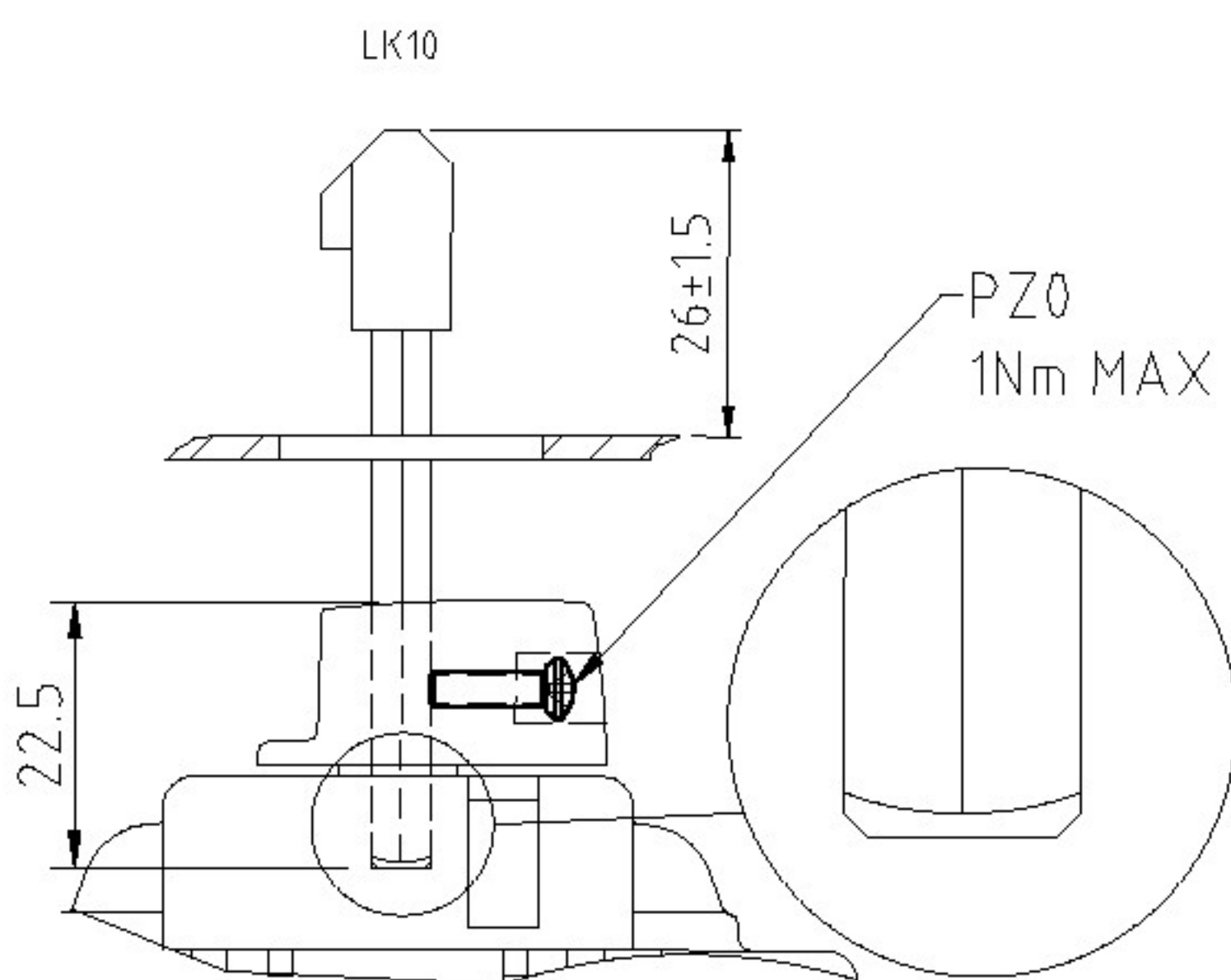


## ACCESSORIES SHAFTS



- With adapter AD11 for LK10 and LK11
- Length 100/200/300 mm
- Available in aluminium, steel (T), or steel and slanted (VT)
- Shafts are easy to cut to the correct length

Dimensioning of the extension shaft  
for LK10 and LK11 handles



Type	For	Description	EAN-code
<b>Handles</b>			
LK10	KU 16-125 A, VKA 125-160 A	Black	6419410222539
LK10 Y/R		Yellow/red	6419410222553
LK11	KU 16-125 A, VKA 125-160 A	Black	6419410222607
LK11 Y/R		Yellow/red	6419410222614
LK12	VKE/VKE 125-160 A, VKA 200-250	Black	6419410222683
LK12 Y/R		Yellow/red	6419410222690
LK13	KVKE/VKE 200-400 A	Black	6419410222645
LK13 Y/R		Yellow/red	6419410222652
LK14	KVKE/VKE 200-630 A	Black	6419410222669
LK14 Y/R		Yellow/red	6419410222676
<b>Shafts</b>			
L=100 AD11	KU/VKA, LK10 & LK11	Length 100 mm, aluminium	6419410253106
L=200 AD11		Length 200 mm, aluminium	6419410253113
L=300 AD11		Length 300 mm, aluminium	6419410253120
L=100 AD11/VT	KU/VKA, LK10 & LK11	Length 100 mm, steel, slanted	6419410253168
L=200 AD11/VT		Length 200 mm, steel, slanted	6419410253175
L=300 AD11/VT		Length 300 mm, steel, slanted	6419410253182
L=100 AD12/T	KVKE 63-160 A, LK11	Length 100 mm, steel	6419410253045
L=200 AD12/T		Length 200 mm, steel	6419410253052
L=300 AD12/T		Length 300 mm, steel	6419410253069
LVK=228	KVKE/VKE 200-630 A, LK13 & LK14	Length 228 mm, steel	6419410221440
LVK=320		Length 320 mm, steel	6419410221426

## TERMINAL COVERS



Type	For	EAN-code
<b>Terminal covers</b>		
LS 125	VKE 125-160 A, KVKE 63-160 A	6419410286937
LS 250	VKE 200-250 A, KVKE 200-250 A	6419410287729
LS 400	VKE 315-400 A, KVKE 315-400 A	6419410287866
LS 630	VKE 630 A, KVKE 630 A	6419410284957