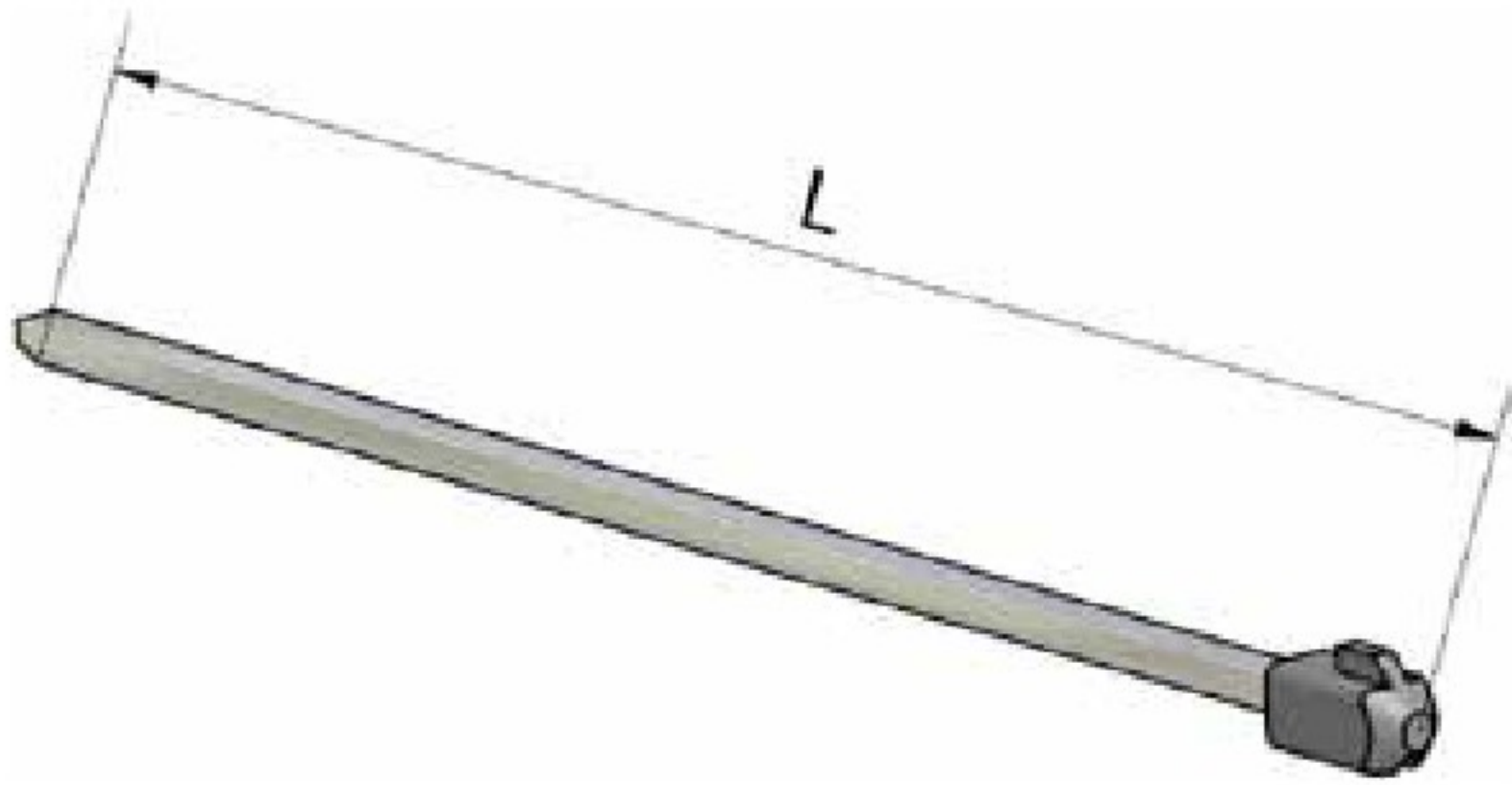
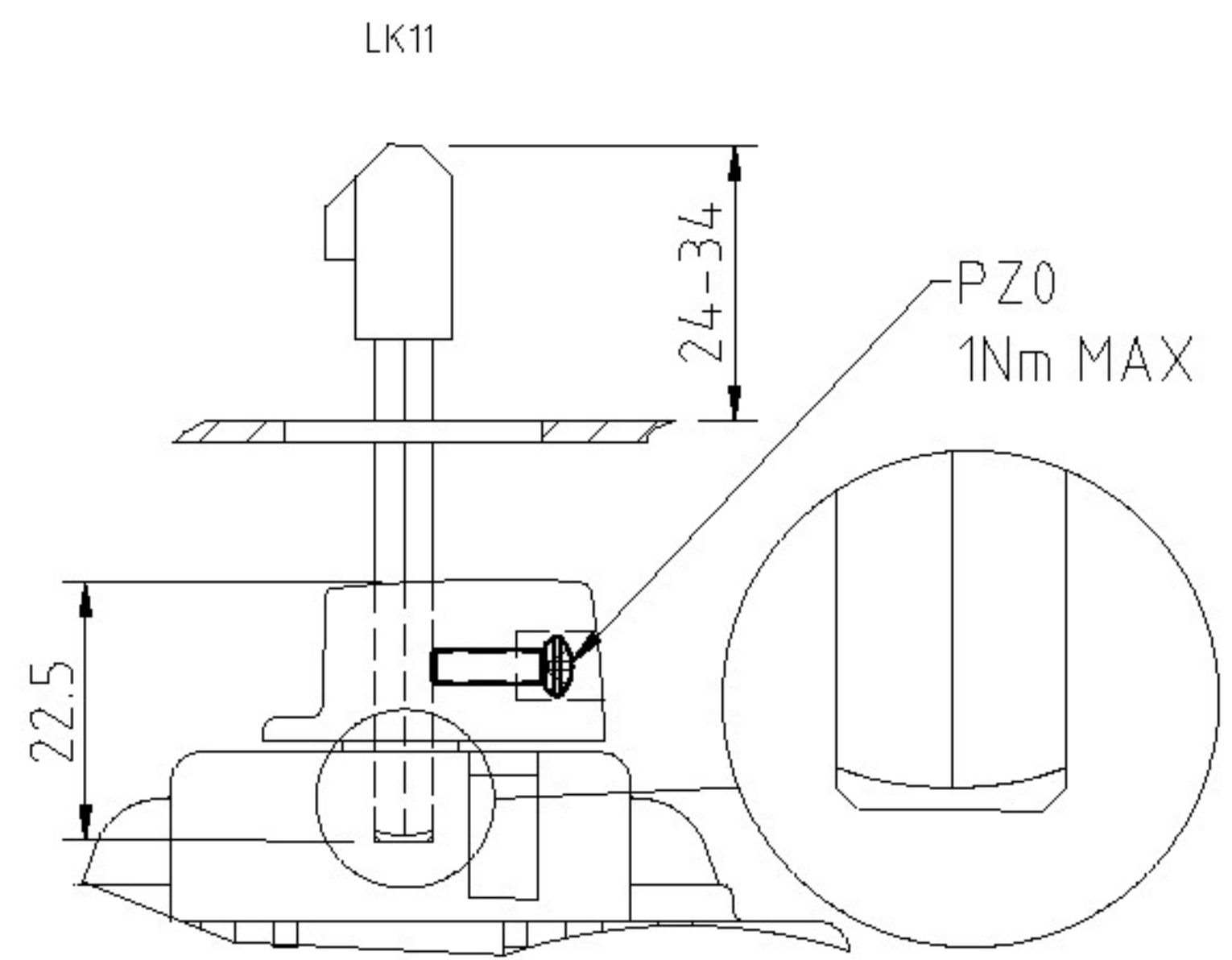
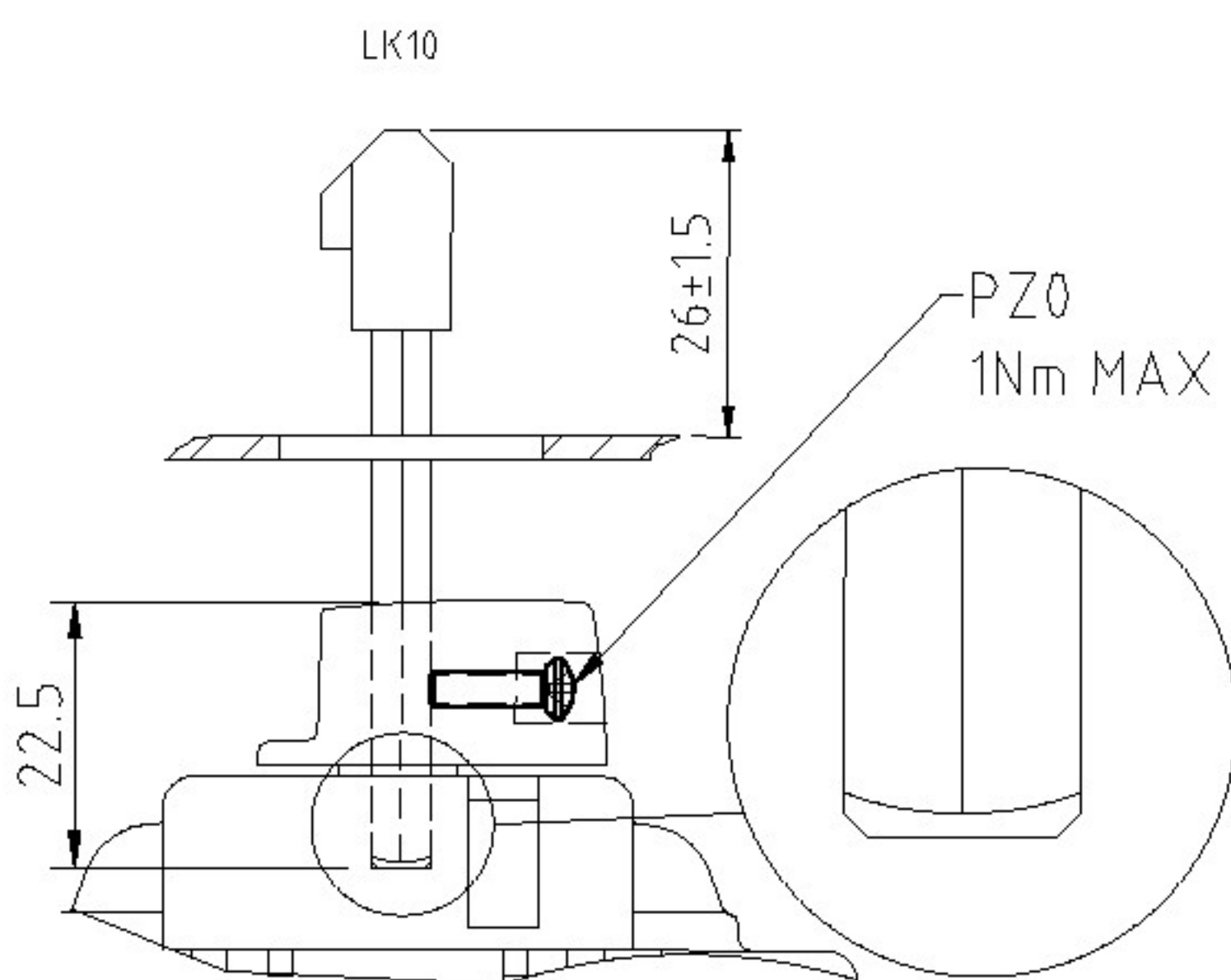


ACCESSORIES SHAFTS



- With adapter AD11 for LK10 and LK11
- Length 100/200/300 mm
- Available in aluminium, steel (T), or steel and slanted (VT)
- Shafts are easy to cut to the correct length

Dimensioning of the extension shaft
for LK10 and LK11 handles



| Type | For | Description | EAN-code |
|----------------|---------------------------------|-------------------------------|---------------|
| Handles | | | |
| LK10 | KU 16-125 A, VKA 125-160 A | Black | 6419410222539 |
| LK10 Y/R | | Yellow/red | 6419410222553 |
| LK11 | KU 16-125 A, VKA 125-160 A | Black | 6419410222607 |
| LK11 Y/R | | Yellow/red | 6419410222614 |
| LK12 | VKE/VKE 125-160 A, VKA 200-250 | Black | 6419410222683 |
| LK12 Y/R | | Yellow/red | 6419410222690 |
| LK13 | KVKE/VKE 200-400 A | Black | 6419410222645 |
| LK13 Y/R | | Yellow/red | 6419410222652 |
| LK14 | KVKE/VKE 200-630 A | Black | 6419410222669 |
| LK14 Y/R | | Yellow/red | 6419410222676 |
| Shafts | | | |
| L=100 AD11 | KU/VKA, LK10 & LK11 | Length 100 mm, aluminium | 6419410253106 |
| L=200 AD11 | | Length 200 mm, aluminium | 6419410253113 |
| L=300 AD11 | | Length 300 mm, aluminium | 6419410253120 |
| L=100 AD11/VT | KU/VKA, LK10 & LK11 | Length 100 mm, steel, slanted | 6419410253168 |
| L=200 AD11/VT | | Length 200 mm, steel, slanted | 6419410253175 |
| L=300 AD11/VT | | Length 300 mm, steel, slanted | 6419410253182 |
| L=100 AD12/T | KVKE 63-160 A, LK11 | Length 100 mm, steel | 6419410253045 |
| L=200 AD12/T | | Length 200 mm, steel | 6419410253052 |
| L=300 AD12/T | | Length 300 mm, steel | 6419410253069 |
| LVK=228 | KVKE/VKE 200-630 A, LK13 & LK14 | Length 228 mm, steel | 6419410221440 |
| LVK=320 | | Length 320 mm, steel | 6419410221426 |

TERMINAL COVERS



| Type | For | EAN-code |
|------------------------|-------------------------------|---------------|
| Terminal covers | | |
| LS 125 | VKE 125-160 A, KVKE 63-160 A | 6419410286937 |
| LS 250 | VKE 200-250 A, KVKE 200-250 A | 6419410287729 |
| LS 400 | VKE 315-400 A, KVKE 315-400 A | 6419410287866 |
| LS 630 | VKE 630 A, KVKE 630 A | 6419410284957 |