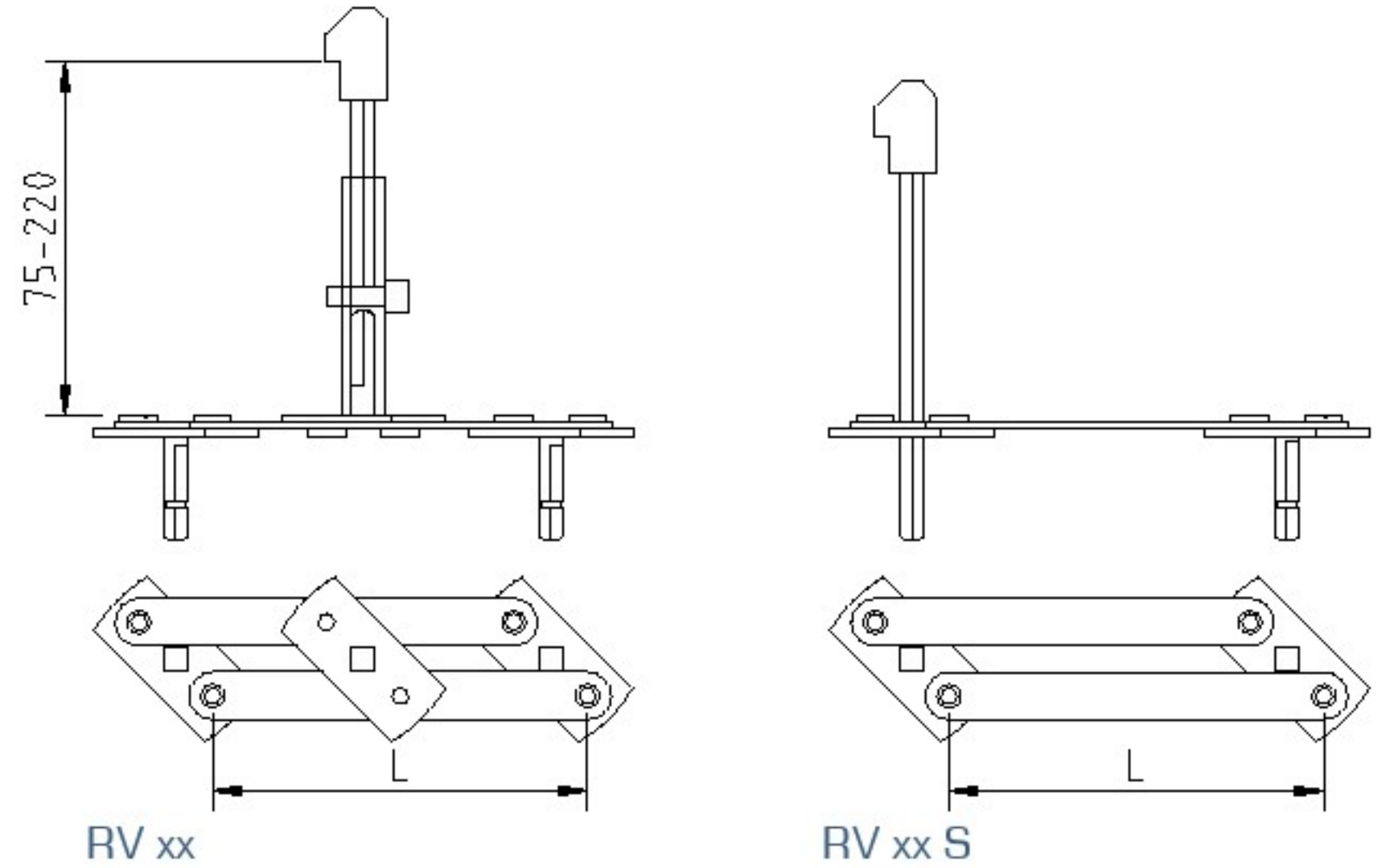


PARALLEL KITS



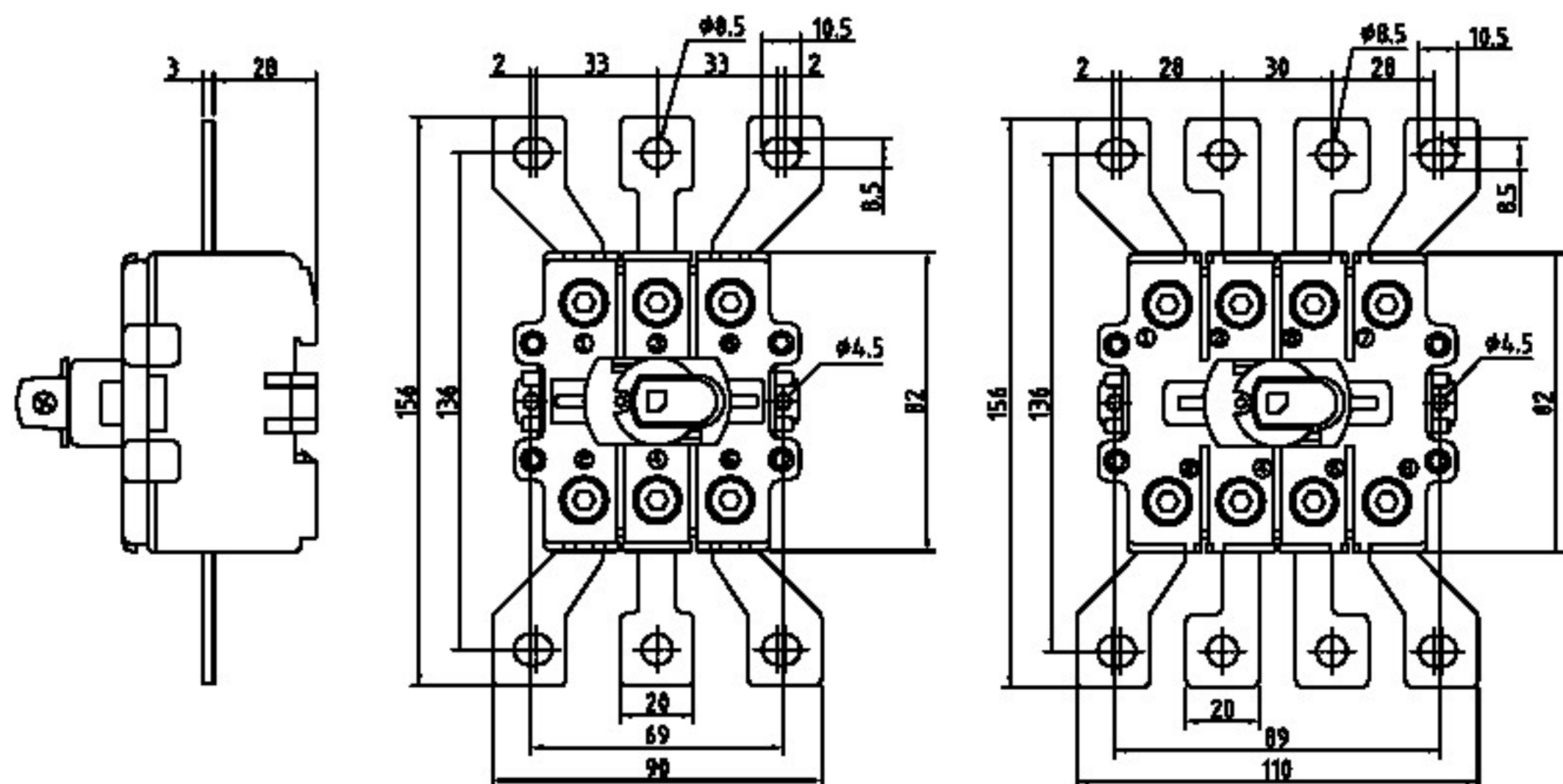
- For KU and VKA-switches
- Assembly depth for KU 155-300 mm
- Assembly depth for VKA 164-310 mm
- Length shown in the product code, for example:
RV 66, L=66 mm
- Handle not included



Type	For	Description	EAN-code
Parallel kits			
RV 52S	KU	For 2 x KU 3P	6419410226223
RV 66		For 2 x KU 3P	6419410226285
RV 66S		For 2 x KU 3P	6419410226261
RV 80	KU, VKA	For 2 x KU 4P / 2 x VKA 3P	6419410226308
RV 80S		For 2 x KU 4P / 2 x VKA 3P	6419410226292
RV 104	VKA 125-160 A	For 2 x (VKA 3P+ALK 3160) / 2 x VKA 4P	6419410226322
RV 104S		For 2 x (VKA 3P+ALK 3160) / 2 x VKA 4P	6419410226315
RV 126		For 2 x (VKA 4P+ALK 4160)	6419410226346
RV 126S		For 2 x (VKA 4P+ALK 4160)	6419410226339
RV 143S/6		200-250 A	For 2 x VKA 3P



SPREADERS



Type	For	Description	EAN-code
Spreaders			
ALK 3160	VKA, EVA	For 3P switch	6419410225301
ALK 4160	125-160 A	For 4P switch	6419410225400
KVKE ALK 160 3P	KVKE, VKE	For 3P switch	6419410286999
KVKE ALK 160 4P	125-160 A	For 4P switch	6419410287002