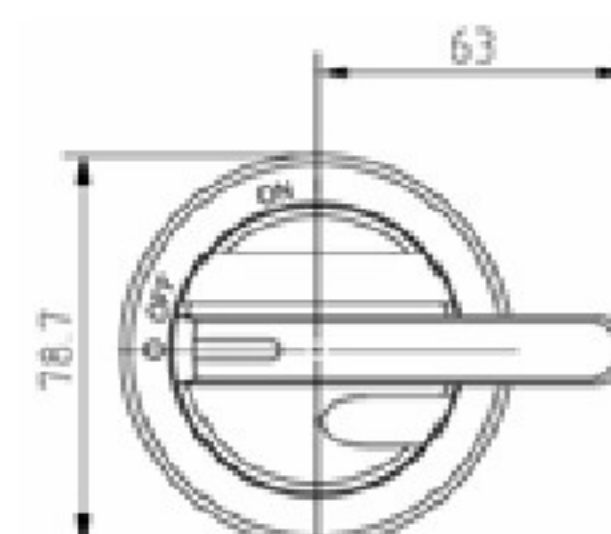
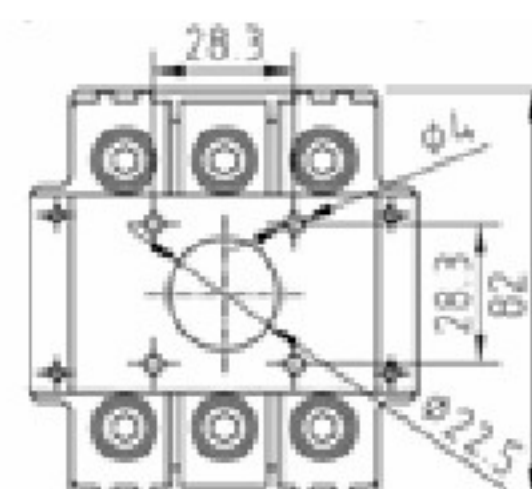
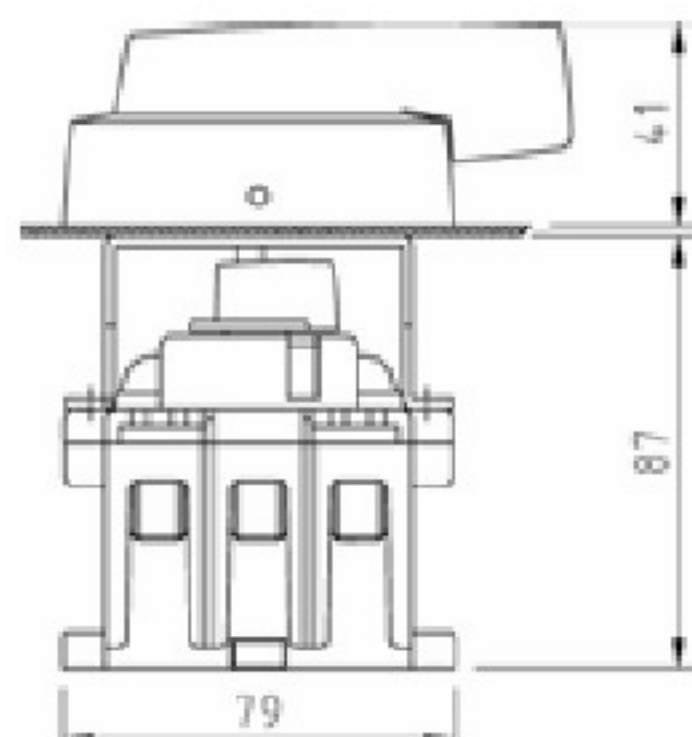


ACCESSORIES DOOR MOUNTING KITS



- For KU and VKA-switches
- With LK10 or LK11 handle
- Available as black or yellow/red (Y/R)



OKA/KU/LK10

OKA/VKA/LK11

Type	For	Description	EAN-code
OKA/KU/LK10	KU	Black, for 3P switch, with LK10 handle	6419410224656
OKA/KU/LK10 Y/R	KU	Yellow/red, for 3P switch, with LK10 handle	6419410224663
OKA/KU 4P/LK10	KU 4pole	Black, for 4P switch, with LK10 handle	6419410224700
OKA/KU 4P/LK10 Y/R	KU 4pole	Yellow/red, for 4P switch, with LK10 handle	6419410224717
OKA/VKA	VKA	Black, for 3P switch, with LK11 handle	6419410224601
OKA/VKA Y/R	VKA	Yellow/red, for 3P switch, with LK11 handle	6419410224618
OKA/VKA 4P	VKA 4pole	Black, for 4P switch, with LK11 handle	6419410224762
OKA/VKA 4P Y/R	VKA 4pole	Yellow/red, for 4P switch, with LK11 handle	6419410224779

LOAD BREAK SWITCHES 16 - 160 A FRONT PLATES FOR KU AND VKA

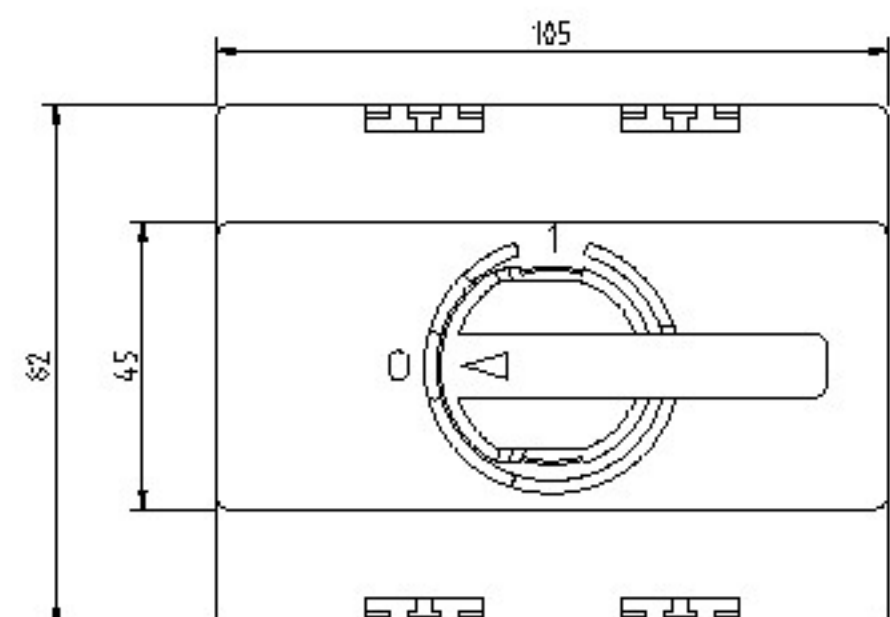


K/VKA 3-4P

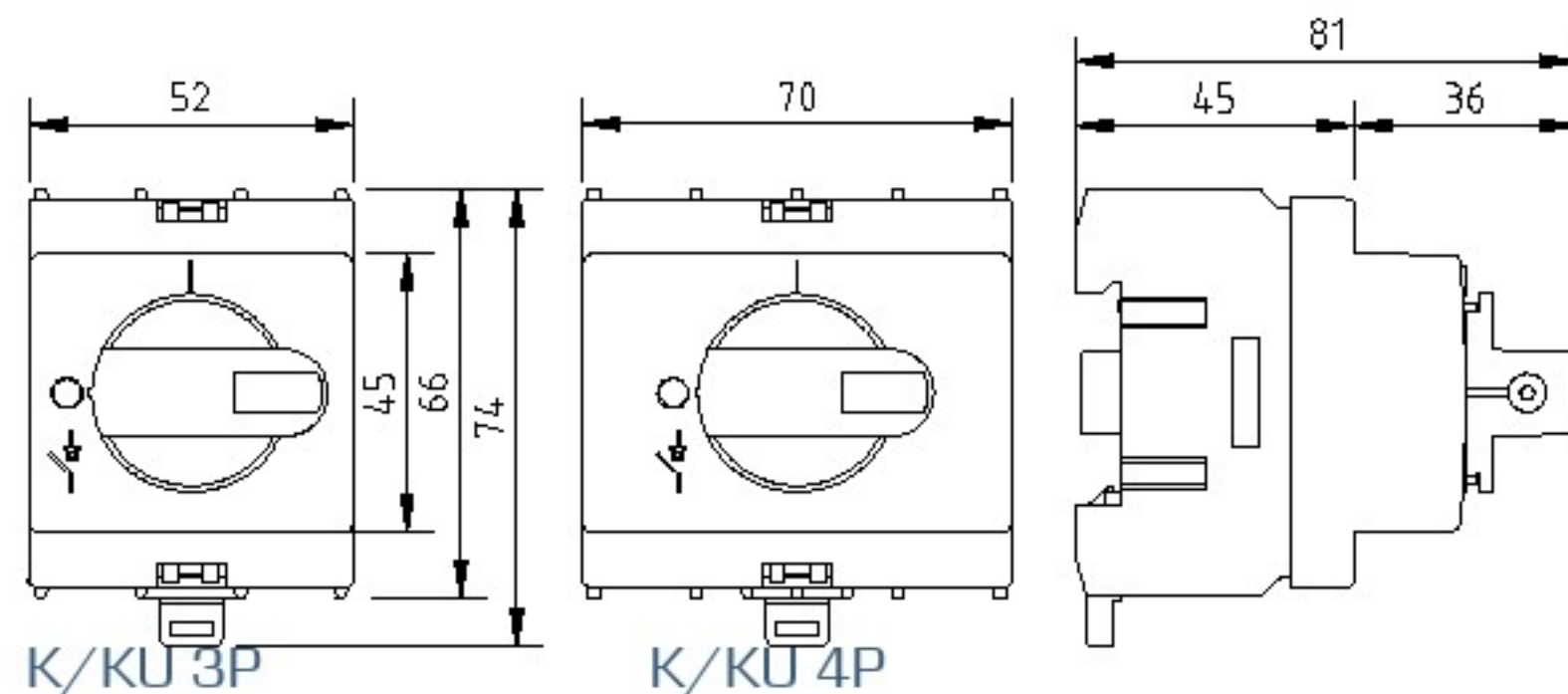
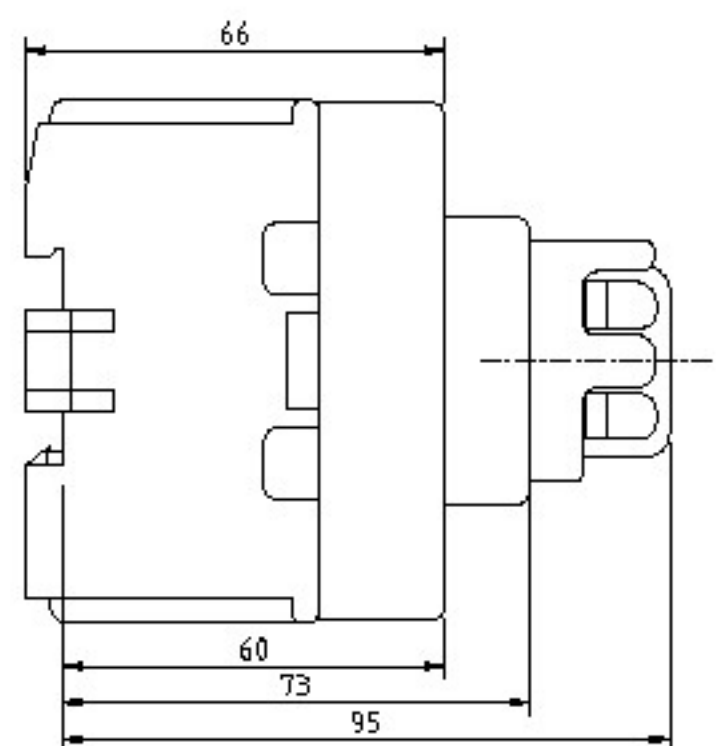


K/KU 3P

- Front plates for KU and VKA switches with direct handle
- Available in grey-black, and in yellow-red (Y/R)



K/VKA 3-4P



K/KU 3P

K/KU 4P

Type	For	Description	EAN-code
K/KU 3P	KU 3P	Grey plate, black direct handle	6419410221600
K/KU 4P	KU 4P	Grey plate, black direct handle	6419410222805
K/KU 3P Y/R	KU 3P	Yellow plate, red direct handle	6419410221617
K/KU 4P Y/R	KU 4P	Yellow plate, red direct handle	6419410222812
K/VKA 3P-4P	VKA 3-4P	Grey plate, black direct handle	6419410218709
K/VKA 3P-4P Y/R	VKA 3-4P	Yellow plate, red direct handle	6419410218808