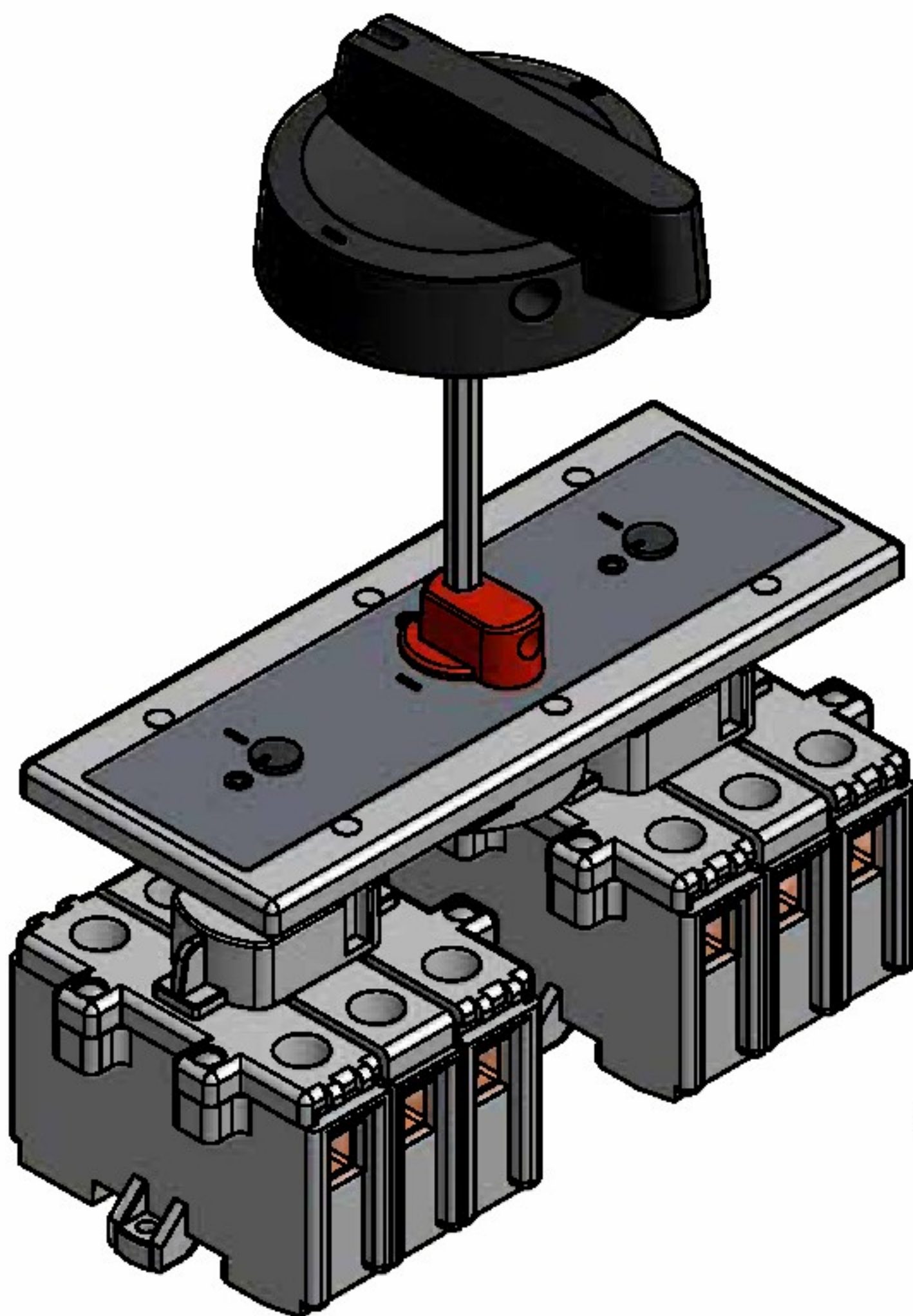
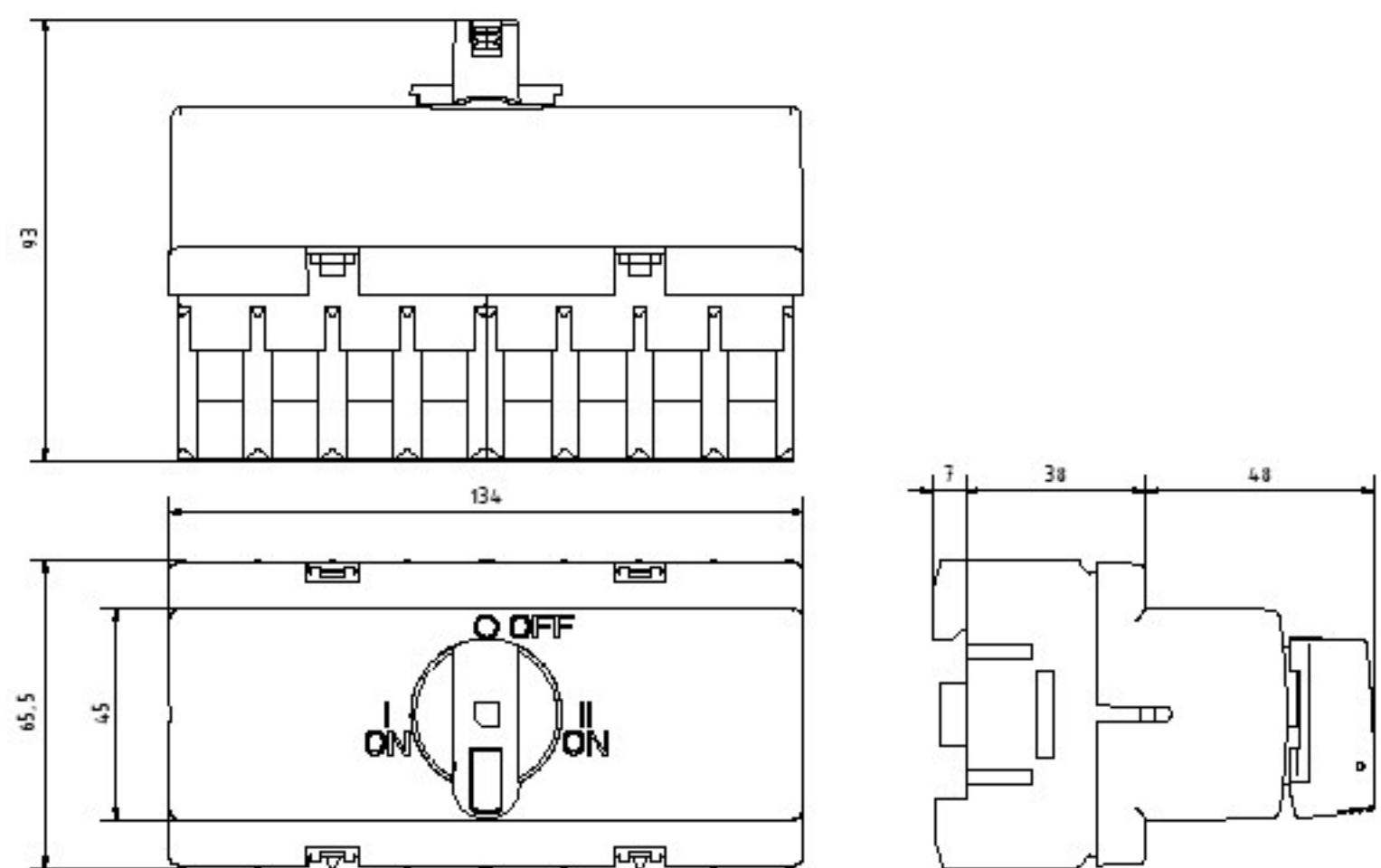


ACCESSORIES

CHANGE-OVER KIT KU3/4P VV

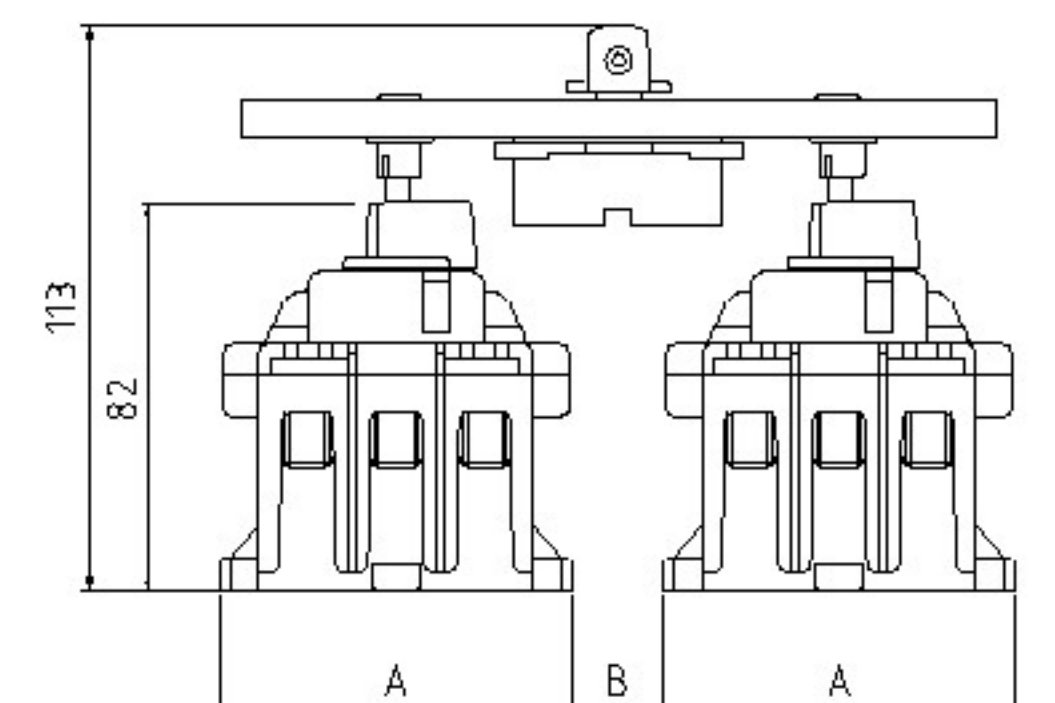
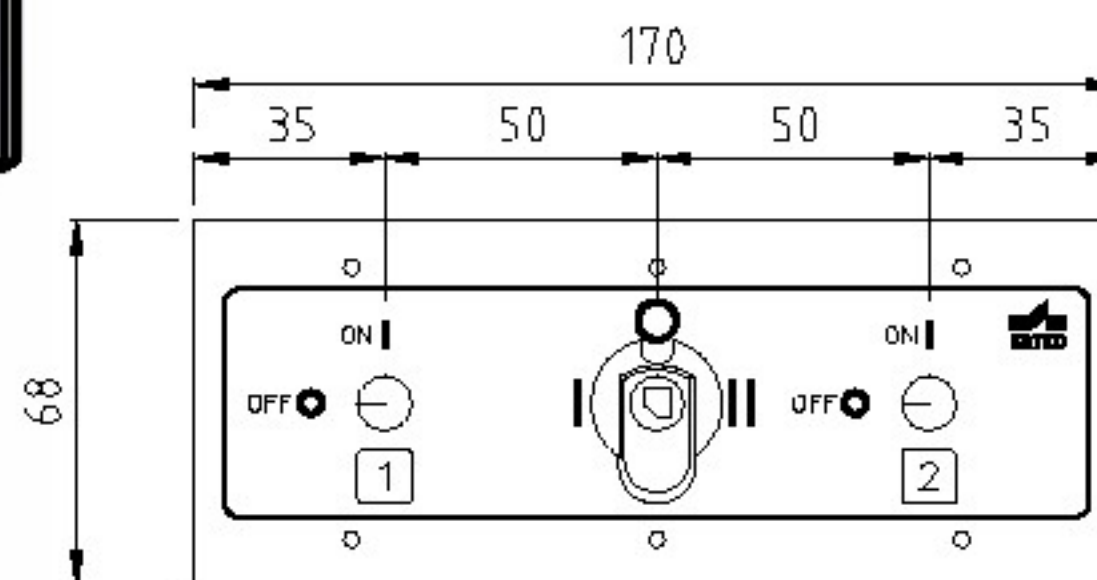


- Compact design for 2 KU Switches (16-125 A, 3-4 poles)
- Fast and easy to install
- Available with black or red direct handle (Y/R)
- Compatible with LK12 1-0-2 handle and L=100/200/300 AD12/T shaft
- Compatible with auxiliary contact VV 1.V (two can be mounted)



CHANGE-OVER KIT VV 1-0-2

- For two VKA switches (16-160 A)
- Available with black or yellow/red handle (Y/R)
- Includes handle and shaft
- Compatible with auxiliary contact VKA 1.V & VKA 2.V



Dim	VKA 3125-3160	VKA 4125-4160
A	79	99
B	21	1

Type	For	Description	EAN-code
Change over kits			
KU3/4P VV	KU 16-125 A	Positions 1, 0, 2, black handle	6419410221624
KU3/4P VV Y/R		Positions 1, 0, 2, red handle	6419410221631
VV 1-0-2	VKA 125-160 A	Positions 1, 0, 2	6419410226407
VV.1-0-2/K		Positions 1, 0, 2 with supporting steel	6419410226421
VV.1-0-2/LK12		Positions 1, 0, 2 with LK12 handle	6419410226605
VV 1-2	KU 16-125 A, VKA 125-160 A	No 0-position	6419410226506
Handles			
LK12 1-0-2	Change-over switches 16-160 A	Black	6419410222737
LK12 1-0-2 Y/R	Change-over switches 16-160 A	Yellow/Red	6419410222744