

## LOAD BREAK SWITCHES 125-250 A ROTARY SWITCHES, VKA SERIES



VKA 125-160 A



VKA 200-250 A

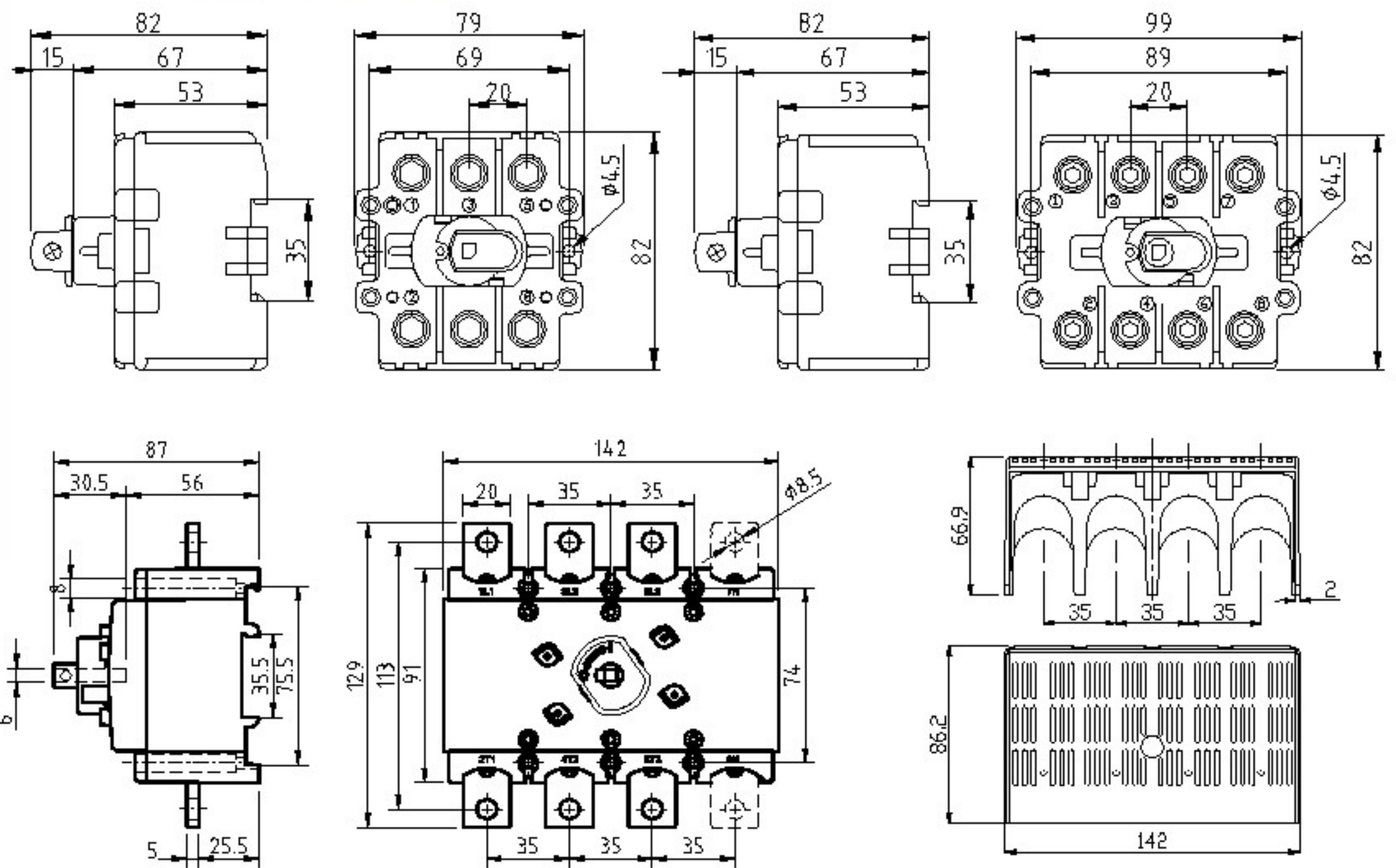
- Compact size
- 3-pole and 4-pole VKA-switches as standard
- 2-pole upon request
- Switch technology by means of silver contacts ensures safe and durable operation

### 125-160 A:

- 6-pole and 8-pole versions consist of two 3-pole or 4-pole VKA-Switches connected by a parallel kit
- Compatible with handles LK10 and LK11 (page 54)
- Shafts L=100/200 AD11 and L=100/200/300 AD11/VT (page 54)

### 200-250 A:

- Handle LK12 and shaft L=228 AD12/T6 included, suitable for 250 mm panel board
- Terminal covers LS/VKAC and phase barriers VS/VKAC enable safe use



| Type          | AC-21 | 400 V     |       | AC-22     | 400 V |           | AC-23 | 400 V | AC-23 | 690 V | EAN-Code      | Weight kg |
|---------------|-------|-----------|-------|-----------|-------|-----------|-------|-------|-------|-------|---------------|-----------|
|               |       | 415 V     | 690 V |           | 415 V | 690 V     |       |       |       |       |               |           |
|               |       | $I_n / A$ |       | $I_n / A$ |       | $I_n / A$ |       |       |       |       |               |           |
| <b>3-pole</b> |       |           |       |           |       |           |       |       |       |       |               |           |
| VKA 3125N     |       | 160 A     |       | 125 A     |       | 100 A     |       | 55 kW | 80 A  | 55 kW | 6419410217504 | 0.51      |
| VKA 3160N     |       | 200 A     |       | 160 A     |       | 135 A     |       | 75 kW | 125 A | 90 kW | 6419410218600 | 0.51      |
| <b>4-pole</b> |       |           |       |           |       |           |       |       |       |       |               |           |
| VKA 4125N     |       | 160 A     |       | 125 A     |       | 100 A     |       | 55 kW | 80 A  | 55 kW | 6419410218006 | 0.66      |
| VKA 4160N     |       | 200 A     |       | 160 A     |       | 135 A     |       | 75 kW | 125 A | 90 kW | 6419410219102 | 0.66      |

| Type           | AC-21 | 400 V     |  | AC-21     | 690 V | AC-22     | 400 V |           | AC-23 | 400 V  |               | EAN-Code | Weight kg |
|----------------|-------|-----------|--|-----------|-------|-----------|-------|-----------|-------|--------|---------------|----------|-----------|
|                |       | 415 V     |  |           |       |           | 415 V |           |       | 415 V  | P / kW        |          |           |
|                |       | $I_n / A$ |  | $I_n / A$ |       | $I_n / A$ |       | $I_n / A$ |       |        |               |          |           |
| <b>3-pole</b>  |       |           |  |           |       |           |       |           |       |        |               |          |           |
| VKA 3200       |       | 200 A     |  | 200 A     |       | 200 A     |       | 110 kW    | 200 A | 110 kW | 6419410218020 | 1.4      |           |
| VKA 3250       |       | 250 A     |  | 250 A     |       | 250 A     |       | 132 kW    | 250 A | 132 kW | 6419410218044 | 1.4      |           |
| VKA 3200 LS/VS |       | 200 A     |  | 200 A     |       | 200 A     |       | 110 kW    | 200 A | 110 kW | 6419410218037 | 1.5      |           |
| VKA 3250 LS/VS |       | 250 A     |  | 250 A     |       | 250 A     |       | 132 kW    | 250 A | 132 kW | 6419410218051 | 1.5      |           |
| <b>4-pole</b>  |       |           |  |           |       |           |       |           |       |        |               |          |           |
| VKA 4200       |       | 200 A     |  | 200 A     |       | 200 A     |       | 110 kW    | 200 A | 110 kW | 6419410219126 | 1.6      |           |
| VKA 4250       |       | 250 A     |  | 250 A     |       | 250 A     |       | 132 kW    | 250 A | 132 kW | 6419410219140 | 1.6      |           |
| VKA 4200 LS/VS |       | 200 A     |  | 200 A     |       | 200 A     |       | 110 kW    | 200 A | 110 kW | 6419410219133 | 1.7      |           |
| VKA 4250 LS/VS |       | 250 A     |  | 250 A     |       | 250 A     |       | 132 kW    | 250 A | 132 kW | 6419410219157 | 1.7      |           |