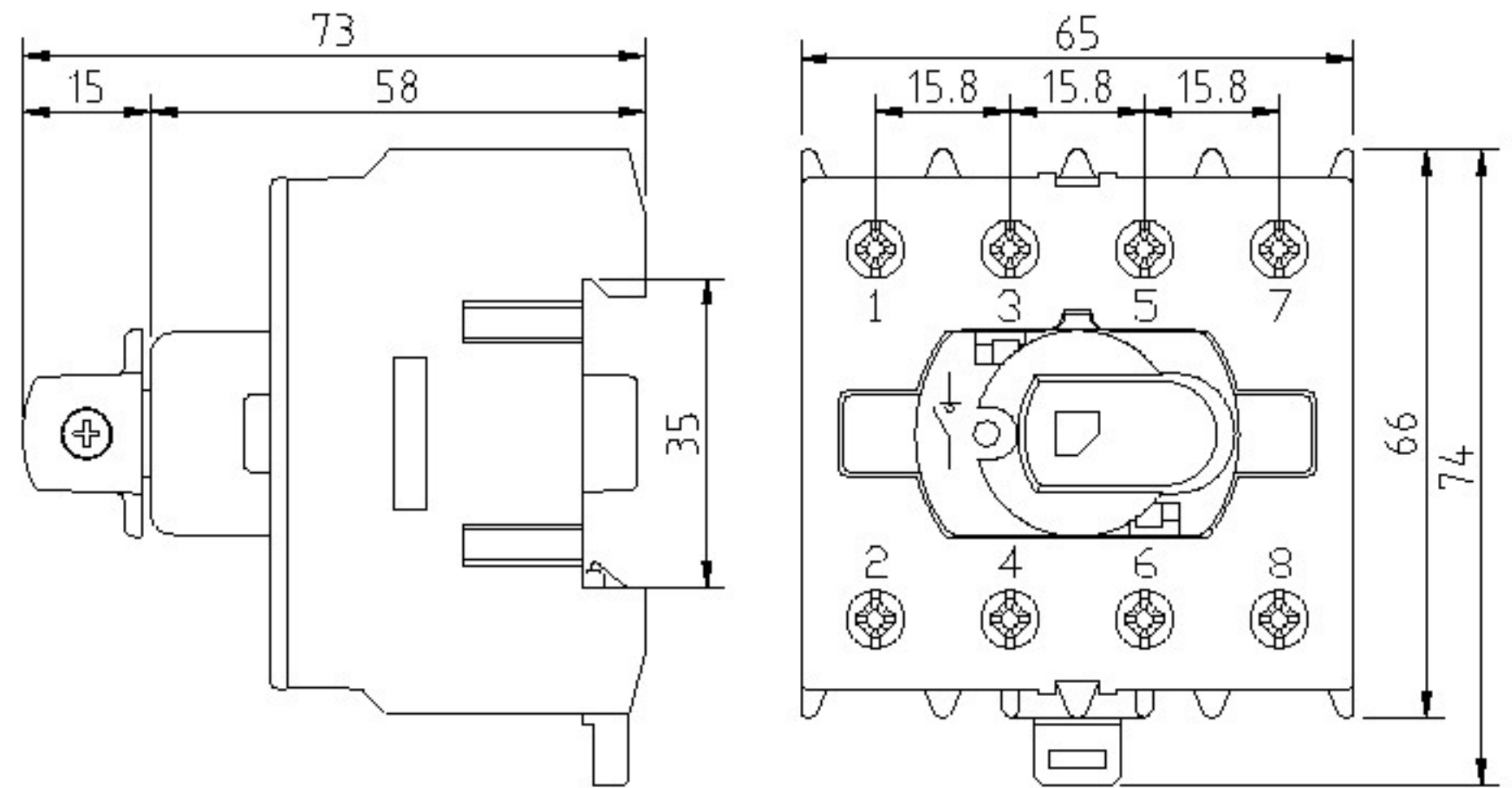
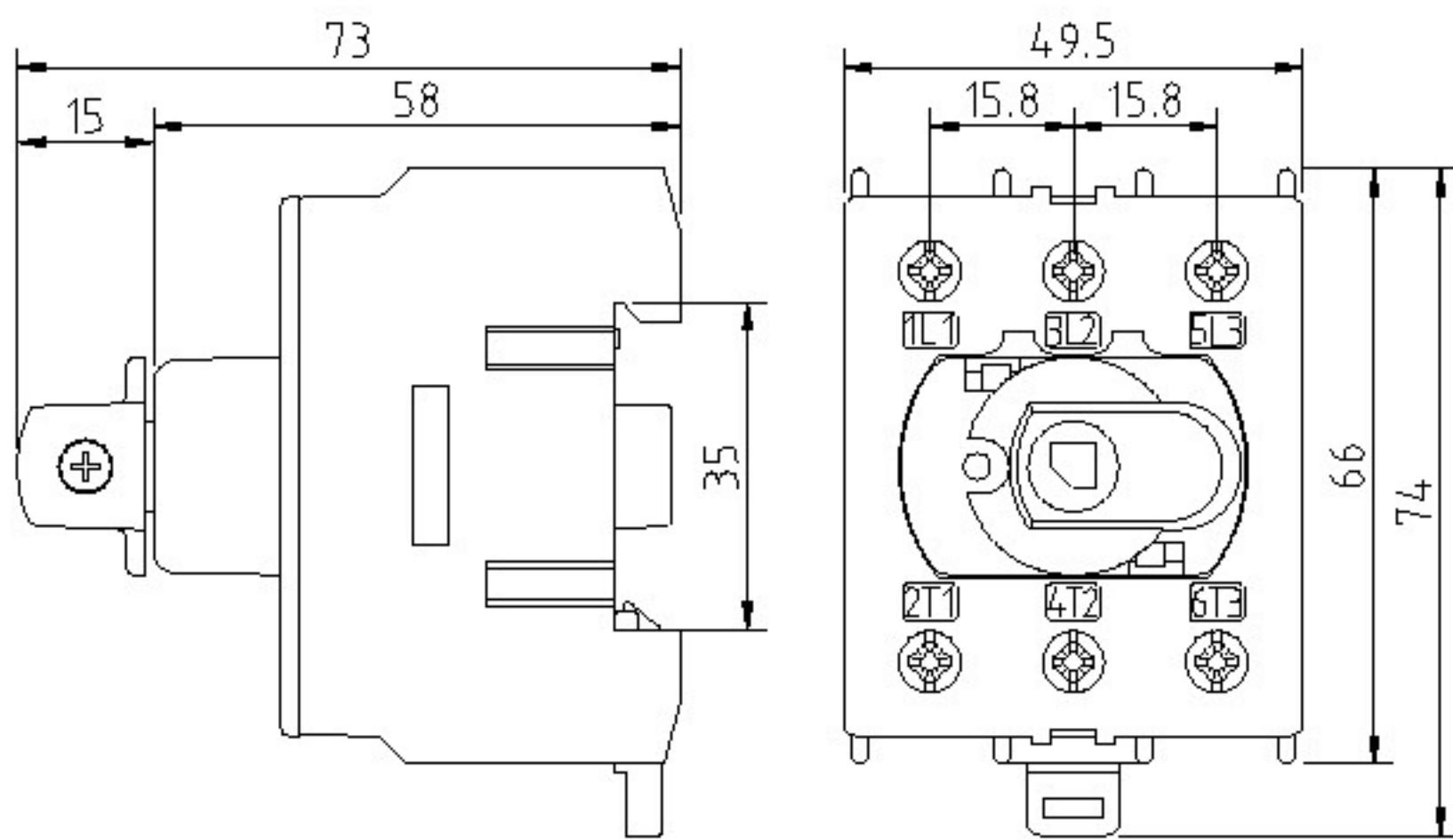




## LOAD BREAK SWITCHES 16-125 A ROTARY SWITCHES, KU SERIES



- Compact size
- DIN-rail mounting
- 3-pole and 4-pole KU-switches as standard
- 2-pole upon request
- 6-pole and 8-pole versions consist of two 3-pole or 4-pole KU-switches connected by a parallel kit
- Switch technology by means of silver contacts ensures safe and durable operation
- Compatible with handles LK10 and LK11
- Shafts L=100/200/300 AD11 and L=100/200/300 AD11/VT (page 54)



Type	AC-21	400 V	AC-22	400 V	AC-23	400 V	AC-23	690 V	EAN-Code	Weight			
		415 V		415 V <sup>1)</sup>							415 V	P / kW	P / kW
		690 V		690 V <sup>2)</sup>									
		I <sub>n</sub> / A		I <sub>n</sub> / A		I <sub>n</sub> / A		P / kW					
<b>3-pole</b>													
KU 316N		25 A		16 A		16 A		7,5 kW		16 A	11 kW	6419410214305	0.19
KU 325N		40 A		25 A		25 A		11 kW		25 A	22 kW	6419410214404	0.19
KU 340N		63 A		40 A		40 A		22 kW		32 A	30 kW	6419410214503	0.19
KU 363N		80 A		63 A		40 A		22 kW		40 A	37 kW	6419410214602	0.2
KU 380N		100 A		80 A		63 A		30 kW		40 A	37 kW	6419410214701	0.2
KU 3125N		125 A		125 <sup>1)</sup> / 80 <sup>2)</sup> A		63 A		30 kW		40 A	37 kW	6419410214824	0.2
<b>4-pole</b>													
KU 416N		25 A		16 A		16 A		7,5 kW		16 A	11 kW	6419410215005	0.23
KU 425N		40 A		25 A		25 A		11 kW		25 A	22 kW	6419410215203	0.23
KU 440N		63 A		40 A		40 A		22 kW		32 A	30 kW	6419410215500	0.23
KU 463N		80 A		63 A		40 A		22 kW		40 A	37 kW	6419410215906	0.25
KU 480N		100 A		80 A		63 A		30 kW		40 A	37 kW	6419410216002	0.25
KU 4125N		125 A		125 <sup>1)</sup> / 80 <sup>2)</sup> A		63 A		30 kW		40 A	37 kW	6419410216125	0.25