

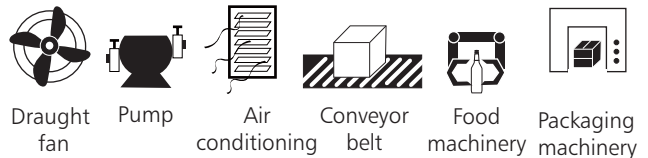


NVF2G Inverter

1. General

NVF2G-series inverters are high-efficiency open-loop vector inverter researched and developed independently by our company. It has the features of high starting torque (0.5 Hz, 1.5 times of rated torque), strong overload capacity, flexible and convenient operation and forward PID and reverses PID, etc. This series of inverter can be divided into mini type, general type (heavy load) and fan and water pump type (light load), with the functions of strong load adaptability, stable and reliable operation and automatic energy-saving operation, etc. This product can be widely applied to electric drive field and automation control field, such as papermaking, textile, water supply, municipal administration, food, concrete, chemical industry, printing and dyeing, metallurgy, mine and plastic machinery.

Applicable equipment of the product

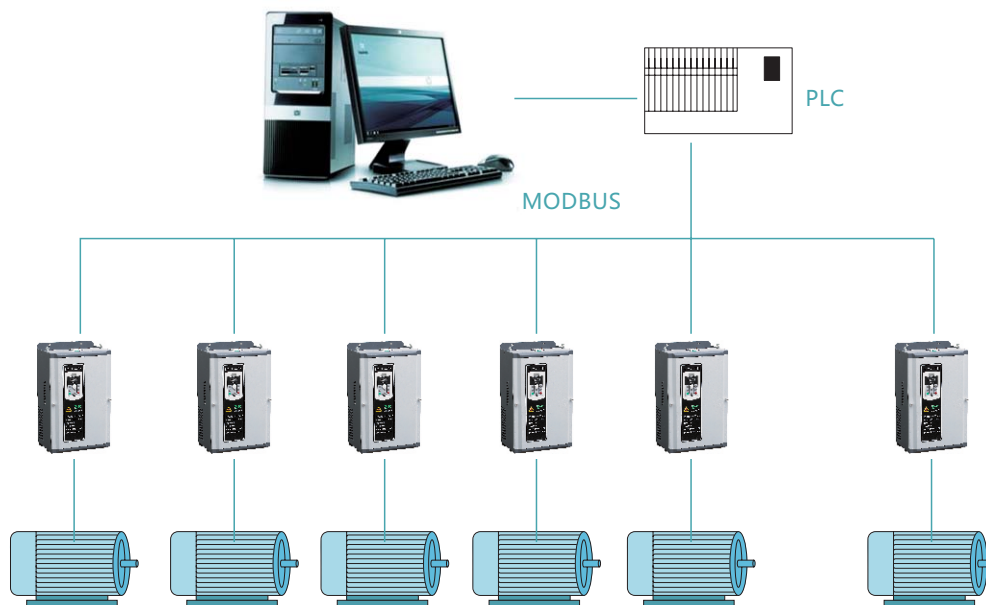


Draught fan Pump Air conditioning Conveyor belt Food machinery Packaging machinery

Productos descritos por este documento:

13070222CH	VDF 1,5KW nominal, xxA, 1F 220V / 3F 220V C/ PID, torq.const	NVF2G-1,5/TD2
13070522CH	VDF 3,7KW nominal, xxA, 1F 220V / 3F 220V C/ PID, torq.const	NVF2G-3,7/TD2
13082038CH	VDF 1,5KW 3,7A 3F 380V C/ PID C/vectorial. vent y bombas	NVF2G-1.5/PS4
13083038CH	VDF 2,2KW 5A 3F 380V C/ PID. C/vectorial.vent y bombas	NVF2G-2.2/PS4
13084038CH	VDF 3,7KW 9A 3F 380V C/ PID. C/vectorial. vent y bombas	NVF2G-3.7/PS4
13085038CH	VDF 5,5KW 13A 3F 380V C/ PID C/vectorial. vent y bombas	NVF2G-5.5/PS4
131001038CH	VDF 0,75KW 2,5A 3F 380V C/ PID C/vectorial.Par constante	NVF2G-0.75/TS4
131002038CH	VDF 1,5KW 3,7A 3F 380V C/ PID C/vectorial. Par constante	NVF2G-1.5/TS4
131003038CH	VDF 2,2KW 5A 3F 380V C/ PID. C/vectorial.Par constante	NVF2G-2.2/TS4
131005038CH	VDF 3,7KW 9A 3F 380V C/ PID. C/vectorial. Par constante	NVF2G-3.7/TS4
131007538CH	VDF 5,5KW 13A 3F 380V C/ PID C/vectorial. Par constante	NVF2G-5.5/TS4
131010038CH	VDF 7,5KW 17A 3F 380V C/ PID C/vectorial. Par constante	NVF2G-7.5/TS4
131015038CH	VDF 11KW 25A 3F 380V C/ PID C/vectorial. Par constante	NVF2G-11/TS4
131020038CH	VDF 15KW 32A 3F 380V C/ PID C/vectorial. Par constante	NVF2G-15/TS4
131025038CH	VDF 18,5KW 37A 3F 380V C/ PID C/vectorial. Par constante	NVF2G-18.5/TS4
131030038CH	VDF 22KW 45A 3F 380V C/ PID C/vectorial. Par constante	NVF2G-22/TS4
13050010CH	Cable de extension p/panel vdf NVF2G - 2mt	EXT.CAB NVF2G(2M)
13050011CH	Cable de extension p/panel vdf NVF2G - 4mt	EXT.CAB NVF2G(4M)

2. Product features



2.1 Excellent motor drive and control performance

- High starting torque: 0.5 Hz, 150% of rated motor torque;
- Superior energy-saving effect: the motor load more lighter more efficiency; Improve the operation efficiency of the motor through energy-saving control; the motor still operates under high-efficiency status regardless of the changes of load;
- Accurate motor parameter self-learning function: it can accurately conduct overall and static self-learning of motor parameters with convenient debugging and simple operation, which can improve the control accuracy and response speed;
- Speed tracking: during the restarting after recovery from the momentary power interruption, it can judge the rotate direction and speed of motor and continue to operate smoothly;
- External DC electric reactor (over 110 kW) can effectively restrain higher harmonic.
- The exclusive dead time compensation technology can increase the output torque;
- Wide carrier frequency: (1-15) kHz, can effectively reduce the operation noise of motor;
- Ultra-strong overload capacity -- Maintain 1 min under 150% of rated current; in heavy load, it is uneasy frequently to trip overload protection and ensures the continuous and stable operation of the equipment;
- Real-time load monitoring -- Real-time monitoring of bus bar voltage and motor current to ensure stable start and stop and quick tracking.

2.2 High reliability design

- Design of the scope of universal input voltage: The fluctuation range of input voltage can reach up to $\pm 15\%$;
- The function of input filtration can reduce harmonic interference effectively;
- The function of automatic voltage regulation (AVR) and automatic current limiting can make the system more stable;
- Perfect protection function and fault diagnosis system provide safe and reliable guarantee for the equipment.

2.3 Various application functions

- It adopts RS-485 communication interface and standard MODBUS communication protocol and can take networked automation control with external PLC equipment.
- It has wobble frequency, which is available for textile industry;
- The efficiently energy saving can be achieved by the built-in intelligent PID control and dormancy function;
- Simple PLC control: The inverter can operate in variable speed according to certain rule through simple PLC function; It not only can define one circular multistage frequency into the function code, but also can define the operation time, direction and number of cycles of the multistage frequency into the function code;
- Modular design: The NVF2G series inverter integrates the modular design that easy to be assembled and disassembled with the dismountable air heater and operation keyboard, which is easy for maintenance and usage;
- Design of common DC bus bar: Many inverters can be connected in parallel through common DC bus bar to share the feedback energy of braking, avoid overvoltage, stabilize the DC bus bar voltage of single inverter and make the equipment operate continuously and stably.

2.4 Ultra-strong environmental suitability:

- The inverter should be used at an ambient temperature of -10°C to $+40^{\circ}\text{C}$ and derated by 1% per 1°C when over 40°C ;
- The input range of wide voltage is the 15% fluctuation range of 380 V, which is available for various civil and industrial power grid;
- Circuit board is processed with conformal coating to make it available for various complicated working conditions.

3. Various software functions

Speed tracking operation

Start with the speed of motor under free-operation operation

The motor under free operation can be introduced to the set frequency automatically without the speed detector.

DC braking when starting

Make the motor under free-operation operation stopping and restarting again

Under free operation, the motor will be automatically stopped by DC braking and re-started immediately when the rotate direction of the motor is uncertain.

Automatic voltage regulation (AVR)

Ensure the stable output voltage during the operation of inverter

During the voltage fluctuation of the power grid, the output voltage of invert will not change with it.

Automatic current limiting

Automatically limit the output current to prevent frequent overcurrent

When the load fluctuation exceeds the current limit level, it will make automatic regulation to maintain the current within the allowed range.

Torque limit

It will protect the machinery to ensure the reliable operation of machinery and equipment

It is helpful to protect the machinery by controlling the torque generated by the motor within the set value.

Frequency detection

It is used to detect the frequency and is available for interlock of brake

When the output frequency is higher than the set value, it will output signal and is available for the interlock control of equipment.

Wobble frequency control

It is operated by swinging up and down by taking the set frequency as the center

Wobble frequency is available for textile, chemical fiber and other industries and occasions needing traversing and winding function.

Fault restoration

To improve the reliability of continuous operation

Even if the inverter is detected for fault, it will reset automatically after auto-diagnosis to restart the operation without stopping the motor. The number of automatic reset is 3.

Frequency skip control

Skipping the special frequency to prevent the vibration of mechanical system

In order to prevent the vibration of mechanical system, it can automatically keep away from the resonance point when operating under the constant speed.

Multistage speed operation

The program can be operated according to the set multistage speed

It can operate according to the frequency of internal storage based on the signal combination. Multistage speed control can be achieved through PLC, limit switch, etc.

Energy-saving operation

Automatic operation with peak efficiency

Detect the load current and provide the motor with the peak efficiency voltage according to the load and rotate speed to achieve the most efficient energy saving operation.

Failure record

Storage the fault information automatically

When there is fault alarm, it will automatically record the current and voltage and fault type to provide reference for determining the fault cause.

Dormancy control of water pump

To reduce the mechanical wear

When the water consumption at night is less and the output frequency of inverter is lower than the dormancy frequency, the inverter will enter into dormancy status.

PID control

Automatic process control

It will conduct PID calculation in the inverter and take the calculation result as the frequency instruction to quantitatively control the pressure, flow and air volume, etc.

Restraint of overvoltage

Prevent fault and tripping due to overvoltage

It is valid to punch and other operations that regenerated repeatedly due to the crank motion; According to the regeneration status, it will increase or decrease the operation frequency to restrain the overvoltage.

Automatic torque boost

To increase the low-frequency output torque under V/F control mode

It is used for setting the manual/automatic torque boost setting under V/F control mode to effectively increase the low-frequency torque of inverter.

4. Main parameter and technical performance

4.1 NVF2G Inverter specifications

4.1.1 Mini type

Input voltage class	Single-phase 220V		
Inverter power (kW)	0.4/TD2	0.75/TD2	1.5/TD2
Applicable motor power (kW)	0.4	0.75	1.5
Rated output current (A)	2.5	4.5	7

4.1.2 General type (T), fan and water pump type (P)

Input voltage class	Single-phase 220V		3-phase		380V				
Inverter power (kW)	2.2/TD2	3.7/TD2	0.4/TS4	0.75/TS4	1.5/TS4	2.2/PS4,2.2/TS4	3.7/PS4,3.7/TS4	5.5/PS4	5.5/TS4
Applicable motor power (kW)	2.2	3.7	0.4	0.75	1.5	2.2	3.7	5.5	5.5
Rated output current (A)	10	16	1.2	2.5	3.7	5	9	11	13

Input voltage class	3-phase		380V				
Inverter power (kW)	7.5/PS4,7.5/TS4	11/PS4	11/TS4	15/PS4,15/TS4	18.5/PS4,18.5/TS4	22/PS4,22/TS4	
Applicable motor power (kW)	7.5	11	11	15	18.5	22	
Rated output current (A)	17	22	25	32	37	45	

Input voltage class	3-phase		380V			
Inverter power (kW)	30/PS4,30/TS4	37/PS4,37/TS4	45/PS4,45/TS4	55/PS4,55/TS4	75/PS4	75/TS4
Applicable motor power (kW)	30	37	45	55	75	75
Rated output current (A)	60	75	90	110	140	150

Input voltage class	3-phase		380V			
Inverter power (kW)	90/PS4,90/TS4	110/PS4,110/TS4	132/PS4,132/TS4	160/PS4,160/TS4	185/PS4,185/TS4	200/PS4,200/TS4
Applicable motor power (kW)	90	110	132	160	185	200
Rated output current (A)	176	210	253	300	340	380

Input voltage class	3-phase		380V	
Inverter power (kW)	220/PS4,220/TS4	245/PS4,245/TS4	280/PS4,280/TS4	315/PS4
Applicable motor power (kW)	220	245	280	315
Rated output current (A)	420	470	520	600

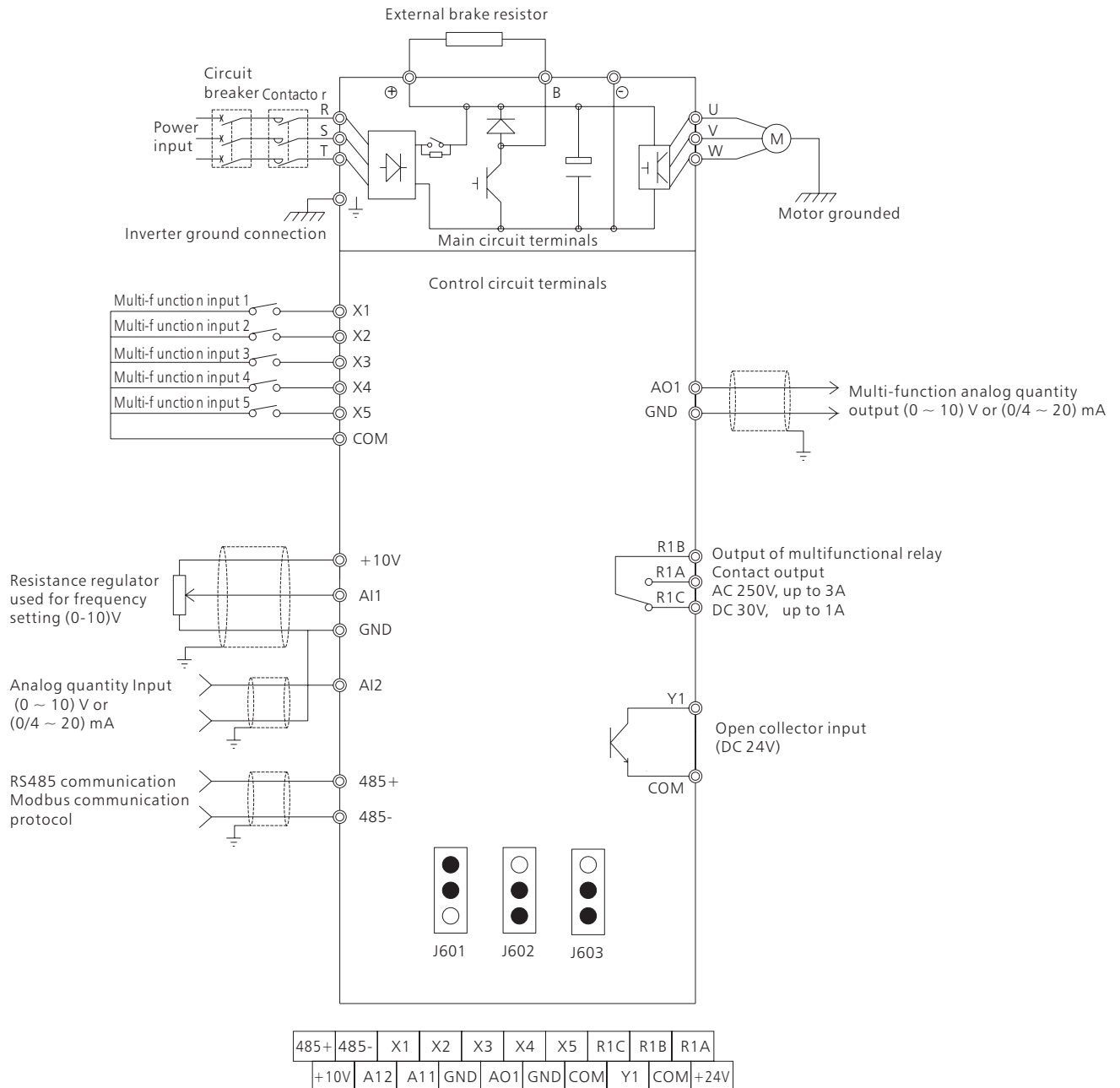
4.2 Standard technical features

Input and output features	Input voltage range: 380V/220V(± 15%)
	Input frequency range: (47-63)Hz
	Output voltage range: 0- rated input voltage
	Output frequency range: General type: (0-400)Hz; Fan and water pump type: (0-120)Hz
Peripheral interface	Programmable digital input: Mini type: 5-route; General type, fan and water pump type: 6-route
	Programmable analog quantity input: AI1: (0-10)V input; AI2: (0-10)V or (0/4-20)mA; AI1 + AI2
	Open collector output: 1-route output
	Relay output: Mini type: 1-route output; General type, fan and water pump type: 2-route output
	Analogue output: For 2-route output, (0-10)V or (0/4-20)mA (mini type; 1-route) can be selected
Operation functions and features	Torque boost: Automatic torque boost; Manual torque boost of 0.1% - 30.0%
	Dynamic braking: Built-in or external brake unit, external connection with brake resistance
	DC braking: Start and stop are selectable separately; motion frequency (0-10)Hz, brake current (0-150)% , actuation time (0.0-50.0)s
	Jog control: Jog frequency range: (0-400)Hz, time for jog acceleration and deceleration (0.1-3600.0)s
	Multistage speed operation: Multistage speed operation can be achieved through the built-in simple PLC or controlling multi-function terminal.
	Automatic voltage regulation (AVR): When the network voltage changes, it can keep the output voltage stable automatically
	Automatic current limit: To automatically limit the current during the operation to prevent fault and tripping due to frequent overcurrent
	Built-in PID controller: It can constitute a closed-loop control system conveniently
	Self-defined JOG function key: The JOG key can be set as jog operation or switch from forward and reverse operation
Protection functions: It can provide over 20 kinds of fault protection functions: overcurrent, overvoltage, undervoltage, overheating, default phase, overload, PID disconnection and other protection functions	
Technical features	Control mode: Non-PG vector control, V/F control, torque control
	Overload capacity: Mini type and general type: 150% rated current for 1min; Fan and pump type: 120% rated current for 1 min
	Starting torque: Non-PG vector control: 0.5 Hz /150% (Rated torque)
	Speed regulation ratio: Non-PG vector control: 1: 100; V/F control: 1:50
	Speed control precision: (non-PG vector control): ±0.5% maximum speed
	Carrier frequency (1-15) kHz
Operation environment	Temperature: The inverter should be used at an ambient temperature of -10℃ to +40℃ and derated by 1% per 1℃ when it is over 40℃
	Humidity: Relative air humidity of the operation environment ≤ 90%, without moisture condensation
	Altitude: The inverter can achieve the rated power when installed below the altitude of 1000m. It should be derated by 10% per 1000m when over 1000m.
	Impact and vibration: The inverter should not be dropped to the ground or subjected to sudden impact. It should not be installed in places where vibration may occur.
	Electromagnetic radiation: The inverter should not be installed adjacent to electromagnetic radiation protection
Air pollution: The inverter should not be installed in places with air pollution, such as dust or corrosive gas atmosphere	
Structure	Protection degree: IP20
	Brake units Standard braking unit for model under 22 kw; standard braking unit for model equal to or above 22 kW
	Cooling mode: High-speed DC fan is used for the cooling of the whole NVF2G series inverter

5. Wiring diagram

5.1 Standard wiring diagram

5.1.1 Standard wiring diagram of mini type



Arrangement of the corresponding control terminal

J601 position (AI1 interface): Connect Terminal 1 with Terminal 2: 0V-10V analog voltage input of AI1;

Connect Terminal 2 with Terminal 3: input of the potentiometer on panel

J602 position (AI2 interface): Connect Terminal 1 with Terminal 2: 0V-10V analog voltage input;

Connect Terminal 2 with Terminal 3: 0/4 mA-20 mA analog current input

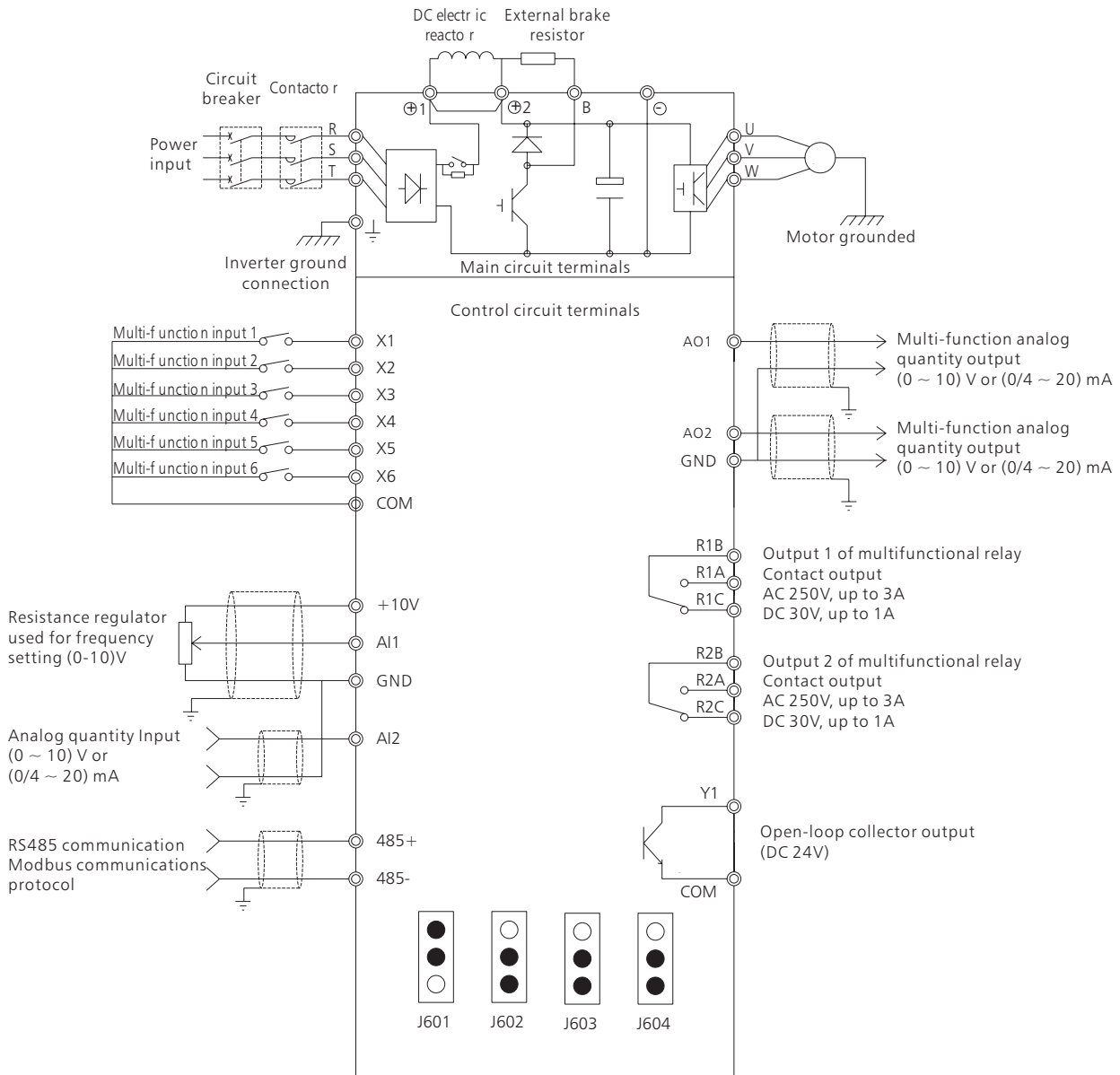
J603 position (AO1 interface): Connect Terminal 1 with Terminal 2: 0V-10V analog voltage input;

Connect Terminal 2 with Terminal 3: 0/4 mA-20 mA analog current input

Corresponding model: NVF2G-0./TD2-NVF2G-1.5/TD2

Notes: The main power lines of single-phase inverter connect with Terminal R and Terminal T.I

5.1.2 Standard wiring diagram of general type and fan and water pump type



Arrangement of the corresponding control terminal

J601 position (AI1 interface): Connect Terminal 1 with Terminal 2: 0V-10V analog voltage input of AI1;

Connect Terminal 2 with Terminal 3: input of the potentiometer on panel

J602 position (AI2 interface): Connect Terminal 1 with Terminal 2: 0V-10V analog voltage input;

Connect Terminal 2 with Terminal 3: 0/4 mA-20 mA analog current input

J603 position (AO1 interface): Connect Terminal 1 with Terminal 2: 0V-10V analog voltage output;

Connect Terminal 2 with Terminal 3: 0/4 mA-20 mA analog current output

J604 position (AO2 interface): Connect Terminal 1 with Terminal 2: 0V-10V analog voltage output;

Connect Terminal 2 with Terminal 3: 0/4 mA-20 mA analog current output

Corresponding models: NVF2-0.4/TS4 ~ NVF2-280/TS4; NVF2-3.7/PS4 ~ NVF2-315/PS4

NVF2-2.2/TD2 ~ 3.7/TD2

Notes: The main power lines of single-phase inverter connect with Terminal R and Terminal T.

5.2 Terminal annotation

5.2.1 Terminal annotation of main circuit

Terminal Symbol	Terminal name and description
R,S,T	Input terminal of AC power supply, used for connecting with 3-phase 380V power-frequency power supply (single-phase 220V power supply is connected with Terminal R and Terminal T)
⊕1,⊖	Input terminal of DC power supply, used for connecting with external brake unit
⊕1,B	Connect with braking resistor terminal.
⊕1,⊕2	DC reactor connector
U,V,W	AC output terminal, used for connecting with the motor
⊥	Grounding terminal, used for the grounding of inverter

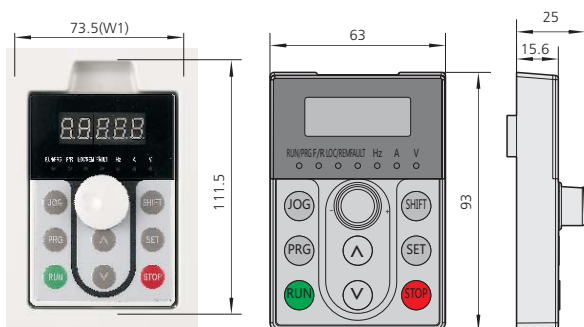
5.2.2 Description of the control circuit terminal

Terminal Symbol	Terminal name	Description
R1A,R1B,R1C R2A,R2B,R2C	Relay contact output	RA and RB are N/O contract group; RB and RC are N/C contract group The functional parameters are set through F6.01 and F6.02
Y1,COM	Open collector output	Functional parameters are set through F6.00, the factory default value is signal output under forward status
485+,485- 10V	Serial communication terminal Power supply used for frequency setting	Terminal serially communicated with the external part Potentiometer of 4.7kΩ-10kΩ connected with AI1,AI2 and GND
AI1,GND	Input terminal of analog signal	It is used to connect with potentiometer or 0V-10V signal to be taken as the frequency setting, set or feedback of PID
AI2,GND	Input terminal of analog signal	It inputs signals of 0V-10V and 0/4mA- 20mA to be taken as the frequency setting, set or feedback of PID
AO1,AO2	Output terminal of analog signal	AO1 and AO2 connecting with the analog signal meter of DC 0V-10V or 0/4mA-20mA can be used for indicating the operation frequency, output current, output voltage, etc.
X1	Multi-function input terminal	The default set is forward operation
X2	Multi-function input terminal	The default set is reverse operation
X3	Multi-function input terminal	The default set is forward jog
X4	Multi-function input terminal	The default set is reverse jog
X5	Multi-function input terminal	The default set is fault resetting
X6	Multi-function input terminal	The default set is external fault input
COM	Common point for multi-functional input terminals	Fit the use of X1-X6
24V,COM	24V output of auxiliary power supply	24V output of DC power (≤50mA)

6. Mounting dimensions (mm)

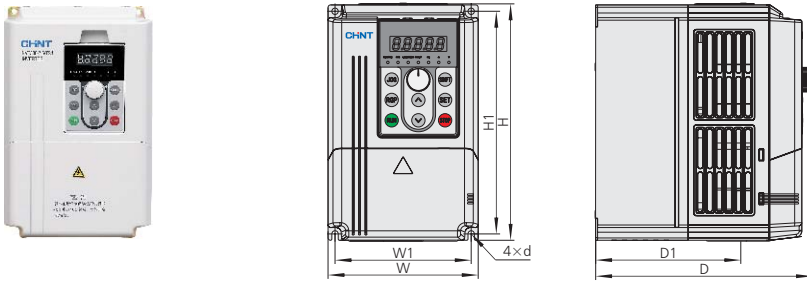
6.1 Product appearance diagram

Dimension of the hole on NVF2G display box

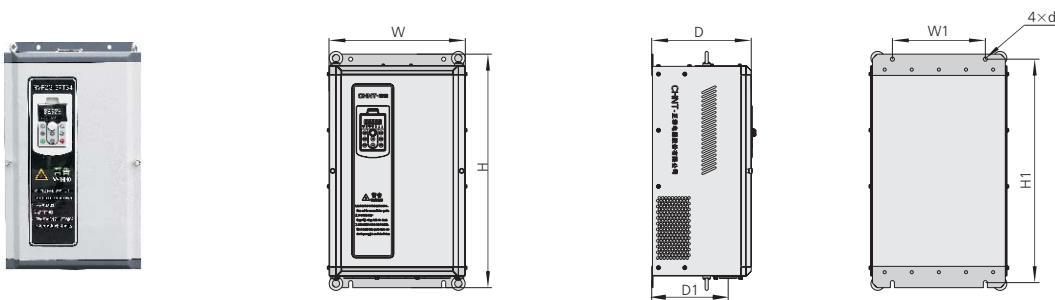


Dimensions of panel hole

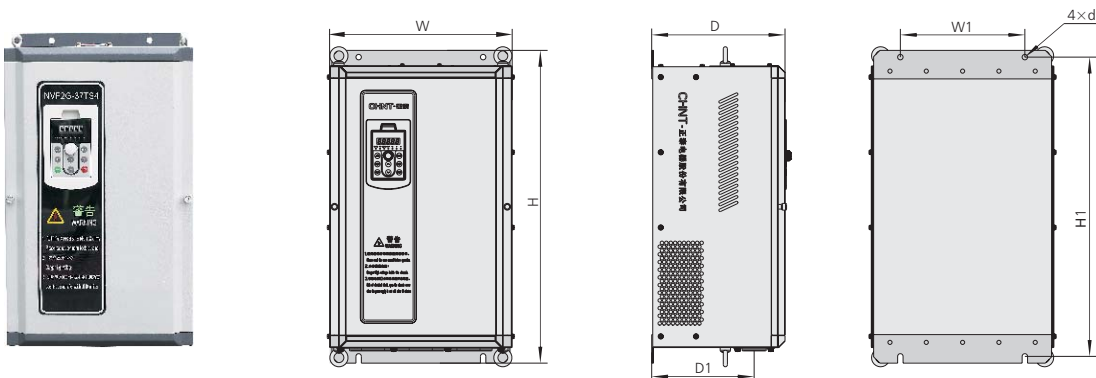
NVF2G-0.4/TD2~3.7/TD2 and NVF2G-0.4/TS4~11/PS4



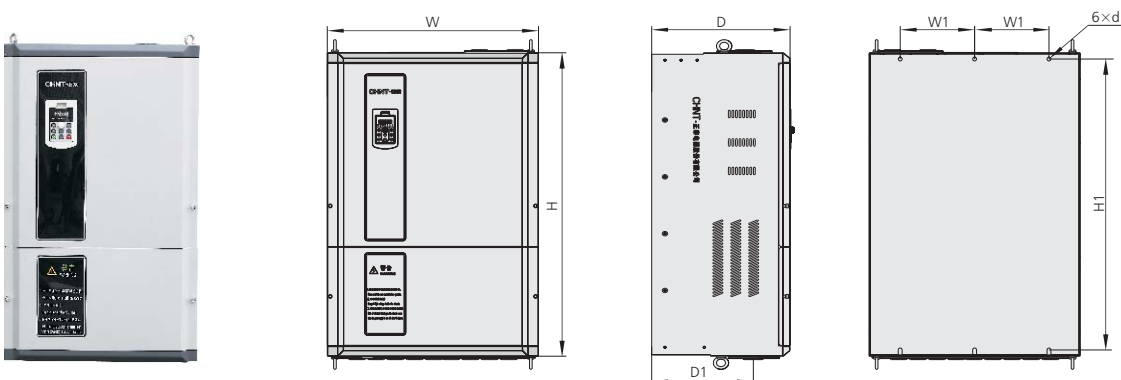
NVF2G-11/TS4~37/PS4



NVF2G-37/TS4~75/PS4



NVF2G-75/TS4~NVF2G-315/PS4



6.2 Product mounting dimensions

Model	Mounting Dimensions							Weight kg
	W	H	D	W1	H1	D1	d	
Display Box				74.5	111.5			
NVF2G-0.4/TD2	85	154	114	76	142	105	5	0.9
NVF2G-0.75/TD2								
NVF2G-1.5/TD2								
NVF2G-0.4/TS4								
NVF2G-0.75/TS4(1.5/PS4)	118	187	173	107	175	110	5	3.1
NVF2G-1.5/TS4(2.2/PS4)								
NVF2G-2.2/TD2								
NVF2G-2.2/TS4(3.7/PS4)								
NVF2G-3.7/TS4(5.5/PS4)	155	247	189	140	232	125	6	3.6
NVF2G-3.7/TD2								
NVF2G-5.5/TS4(7.5/PS4)								
NVF2G-7.5/TS4(11/PS4)								
NVF2G-11/TS4(15/PS4)	191	378	183	90	362	129	9	11
NVF2G-15/TS4(18.5/PS4)	215	426	213	120	407	164	10	15
NVF2G-18.5/TS4(22/PS4)								
NVF2G-22/TS4(30/PS4)	300	527	230	166.6	506	179	10	25
NVF2G-30/TS4(37/PS4)								
NVF2G-37/TS4(45/PS4)								
NVF2G-45/TS4(55/PS4)	352	603	257	240	577	197.5	10	36
NVF2G-55/TS4(75/PS4)								
NVF2G-75/TS4(90/PS4)	406	631	272	126	600	224	10	65
NVF2G-90/TS4(110/PS4)								
NVF2G-110/TS4(132/PS4)	470	807	352	150	769	226.5	12	95
NVF2G-132/TS4(160/PS4)								
NVF2G-160/TS4(185/PS4)	540	892	390	180	848	256	12	150
NVF2G-185/TS4(200/PS4)								
NVF2G-200/TS4(220/PS4)								
NVF2G-220/TS4(245/PS4)	710	1020	386	250	978	284	13	165
NVF2G-245/TS4(280/PS4)								
NVF2G-280/TS4(315/PS4)								
NVF2G-280/TS4(315/PS4)								

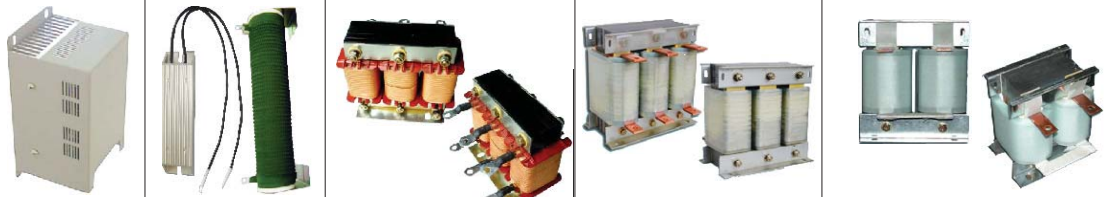
7. Optional accessories of peripheral equipment

Name of accessories	Functions of accessories
Wiring for circuit breaker	It will protect the power system when short circuit occurred. It must be connected between the AC reactors of the AC main circuit power supply, or be connected at the front of the inverter if there is no electric reactor.
AC input electric reactor	To increase the power factor of input power, reduce the higher harmonic and restrain the surge on the power supply of inverter.
DC electric reactor	1. To improve or restrain the aberration rate of the voltage of power grid and current waveform due to the pulse current generated at the charging and discharging of filter capacitor; 2. To reduce the amount of harmonic and increase the power supply quality of the power grid.
AC output electric reactor	1. It can effectively restrain the noise-grade vibration of motor; 2. It can effectively restrain the differential mode noise within 100KHz at the output side of the inverter; 3. It can effectively absorb surge voltage.
Brake units	1. It can control the pumping voltage of bus bar and has certain protective function to the inverter; 2. When frequent braking is needed, it can increase the braking capacity of inverter.
Braking resistance	It can consume the mechanical energy generated during braking as the thermal energy through brake resistance to reduce the deceleration time of drive system of the inverter.
Keyboard support plate	When the operation panel of inverter is needed to be installed on the door sheet of control cabinet or needed remote control of operation cabinet, it shall be installed through keyboard support plate.
Display extension cord	It is used as extension cable when using remote monitoring or pulling out the operation panel.

Selection table of accessories

Inverter	Selection of braking accessories			AC input electric reactor		AC output electric reactor		DC electric reactor				
	Configuration conditions of the braking unit (10% braking ratio)	Braking resistance		Configuration	Rated current (A)	Inductance (mH)	Configuration	Rated current (A)	Inductance (mH)	Configuration	Rated current (A)	(mH) Inductance
		Resistance value (Ω)	Power (W)									
NVF2G-□/□□□												
0.4/TD2	Standard internal configuration of braking unit	220	80	Selectable external configuration	2.4	4.6	Selectable external configuration	2.4	4.5	Do not need to purchase DC electric reactor	—	—
0.75/TD2		220	80		4.5	2.4		4.5	2.3		—	—
1.5/TD2		100	260		7	1.6		7	1.5		—	—
2.2/TD2		70	260		11	1		11	0.9		—	—
3.7/TD2		40	390		18.5	0.6		18	0.5		—	—
0.4/TS4	Standard internal configuration of braking unit (including 22/PS4 model)	750	80		2.5	2.83		3	2.1		—	—
0.75/TS4		750	80		3.7	2.239		3	2.1		—	—
1.5/PS4,1.5/TS4		400	260		3.7	2.239		3	2.1		—	—
2.2/PS4,2.2/TS4		250	260		5.5	2.18		6.3	1.5		—	—
3.7/PS4,3.7/TS4		150	390		9	1.85		11	1.1		—	—
5.5/PS4,5.5/TS4		100	520		13	1.56		16	0.8		—	—
7.5/PS4,7.5/TS4		75	780		18	1		18	0.65		—	—
11/PS4,11/TS4		50	1040		24	0.52		28	0.33		—	—
15/PS4,15/TS4		40	1560		34	0.397		35	0.25		—	—
18.5/PS4,18.5/TS4		32	4800		38	0.352		40	0.2		—	—
22/PS4,22/TS4		27.2	4800	50	0.26	50	0.18	Selectable external configuration (including 110/PS4 model)	70	0.9		
30/PS4,30/TS4		20	6000	60	0.24	63	0.09		80	0.86		
37/PS4,37/TS4		16	7000	75	0.235	80	0.08		100	0.7		
45/PS4,45/TS4	13.6	9600	91	0.17	100	0.06	120		0.58			
55/PS4,55/TS4	10	12000	112	0.16	125	0.04	146		0.47			
75/PS4,75/TS4	6.8	12000	150	0.12	160	0.035	160		0.36			
90/PS4,90/TS4	6.8	12000	200	0.0705	200	0.023	180	0.33				
110/PS4,110/TS4	Selectable external configuration of braking unit	6	20000	224	0.0692	224	0.016	Standard external configuration	250	0.24		
132/PS4,132/TS4		6	25000	280	0.0503	280	0.016		280	0.24		
160/PS4,160/TS4		2.5	50000	315	0.0447	315	0.013		340	0.16		
185/PS4,185/TS4				400	0.0352	400	0.011	460	0.09			
200/PS4,200/TS4				400	0.0352	400	0.011	460	0.09			
220/PS4,220/TS4				450	0.0313	560	0.009	Standard external configuration	500	0.82		
245/PS4,245/TS4				560	0.0251	600	0.008		600	0.072		
280/PS4,280/TS4				560	0.0251	600	0.008		600	0.072		
315/PS4				640	0.0224	690	0.006		700	0.068		

Corresponding physical diagram of each accessory



Physical diagram of display extension cord and support plate of the display box

Display extension cord



Support plate of the display box

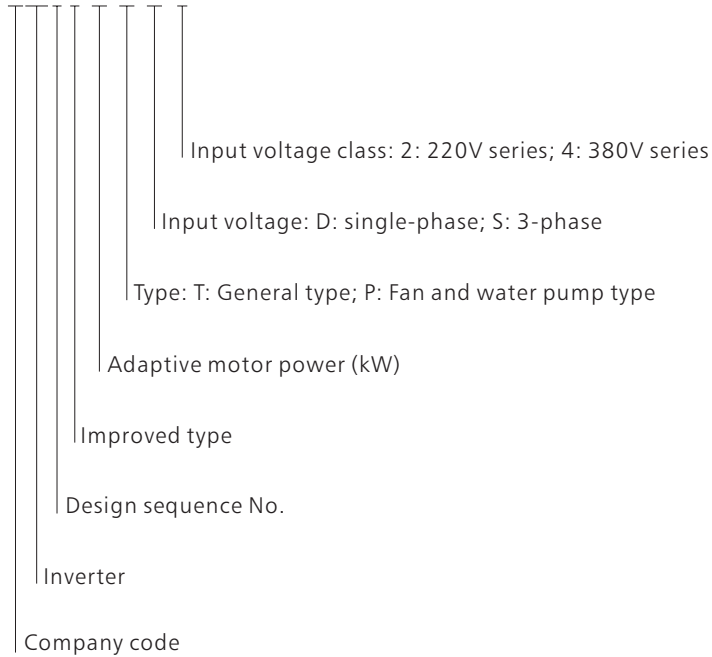


Remarks: When the panel of inverter needs to be pulled out for control, it shall be noted specially when ordering and the length of the display extension cord shall be indicated.

8. Ordering information

8.1 Type designation

NVF2G-□/□ □ □



When ordering, you shall select the needed model and specification according to the illustration of model and implication:

For example:

single-phase 220V series: NVF2G-0.75/TD2

3-phase 380V general type: NVF2G-45/TS4

3-phase 380V fan and water pump type: NVF2G-55/PS4

8.2 Selection guidance

8.2.1 In order to ensure the reliable operation of inverter, the power of inverter must be equal or greater than the power of motor.

8.2.2 General-type inverter is mainly used for load excluding fan and water pump, such as: rolling mill, mixer, ball grinder, centrifugal machine and other heavy-load machine.



8.2.3 Fan and water pump type of inverter is mainly used for fan, water pump and other light-load machine.







9. Customized VFC control cabinet

A variety of VFC control cabinets can be specially ordered according to the production process requirements.

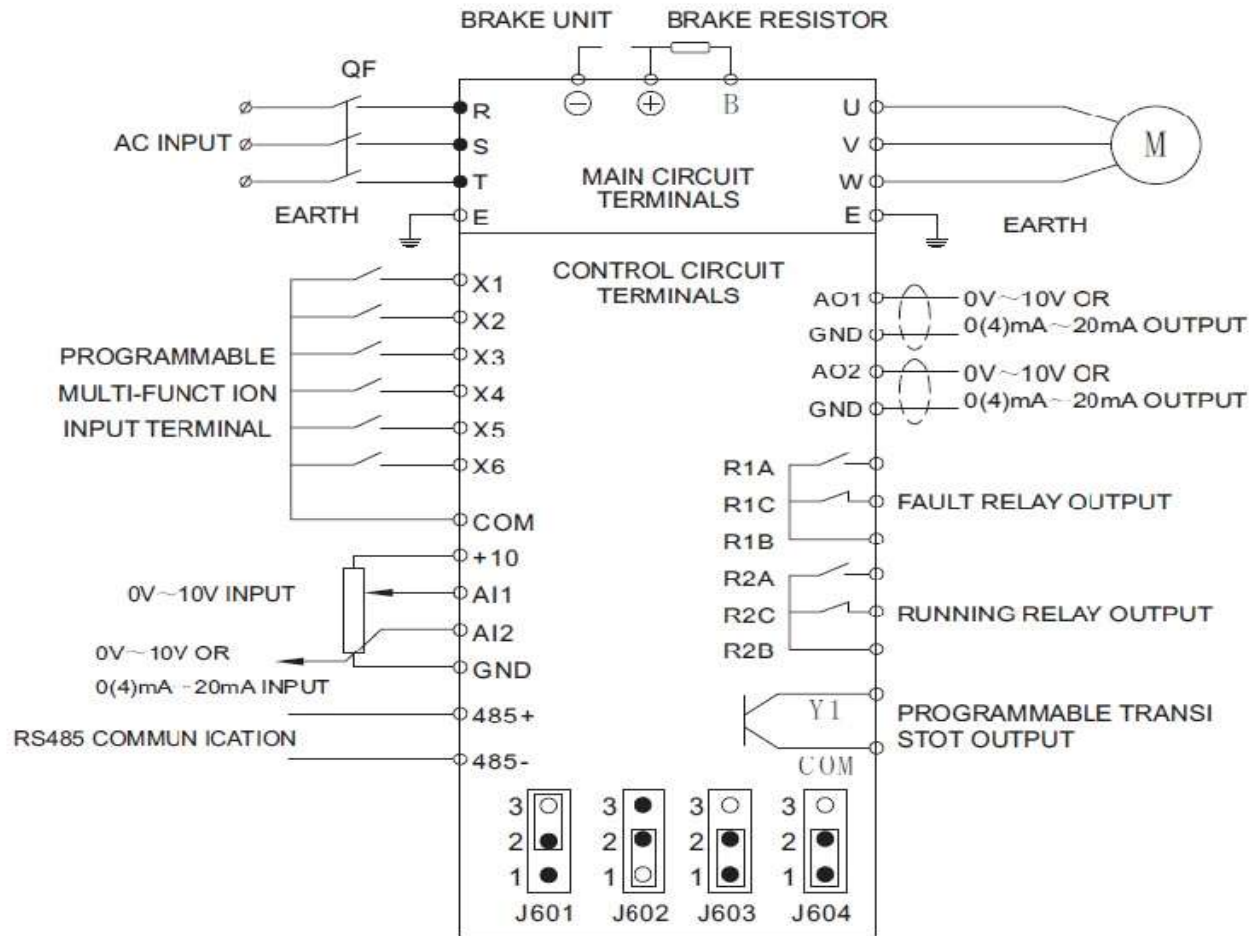


Manual de Configuración Básica, Variador de Frecuencia CHINT NVF2G

Panel de Operación		
JOG	Avance o Reversa	Permite al inversor, cuando F7,03=1, cambiar la dirección del motor
PRG	Botón de Programa	Presionar el botón para entrar a modo de programación.
RUN	Tecla Partir	Pone en marcha el motor, solo funciona en modo Local
	Tecla Subir	En modo de programación, incrementa el parámetro seleccionado. En modo Running o standby, incrementa la frecuencia de marcha.
	Tecla Bajar	En modo de programación, decrece el parámetro seleccionado. En modo Running o standby, decrece la frecuencia de marcha.
SHIFT	Tecla cambio	En modo de programación, cambia el cursor. En modo running o standby, muestra en secuencia la frecuencia de operación, voltaje del bus, voltaje de salida, corriente de salida, velocidad, potencia de salida, etc.
SET	Tecla Enter	En modo de programación, se presiona para confirmar la función del código a modificar, después que el parámetro es modificado, presionar nuevamente para salvar el dato modificado.
Stop	Tecla Parar/Reset	Detiene el inversor dependiendo de F7,04. También resetea la falla del inversor después de una alarma.

Modificar parámetros del inversor (Programar)		
1	Presione tecla PRG	Muestra F0, entra al grupo de parámetros.
2	Presione  	Busque el grupo de parámetros (FX) que necesita modificar.
3	Presione tecla SET	Muestra FX-XX, entra a modificación de códigos de parámetros.
4	Presione  	Busque la función del código que desea modificar.
5	Presione tecla SET	Muestra XXXX, entra en estado de modificación.
6	Presione  	Modifica los parámetros de acuerdo a lo necesitado.
7	Presione tecla SET	Almacena el dato modificado, luego muestra F-XXX.
8	Presione tecla PRG	Salir de modo de programación, y vuelve a modo Run/Standby.

Cableado



Programación en modo Local

Datos Básicos, F0				
F0.0	Modo de control de Velocidad	Definido por usuario		
		0	Control de torque sin sensor	Motores
		1	Control de tensión a frecuencia	Bombas y ventiladores
F0.01	Comando de partida	0 (por defecto)	En modo Local, parte por tecla RUN de Panel	
F0.03	Comando de Frecuencia	0 (por defecto)	En modo Local varia frecuencia por Potenciómetro del Panel	
F0.10	Selección de dirección de marcha	0 (por defecto)	0: Dirección por defecto	
			1: Reversa	
			2: inhabilita reversa	

Datos de placa de Motor, F2				
F2.00	Tipo de convertidor de Frecuencia	Definida por usuario	0: Tipo T	Control de Torque
			1: Tipo P	Bombas y ventiladores
F2.01	Potencia del Motor	Definida por usuario		
F2.01	Frecuencia del Motor	Definida por usuario		
F2.03	Velocidad del Motor	Definida por usuario		
F2.04	Voltaje nominal del Motor	Definida por usuario		
F2.05	Corriente Nominal del Motor	Definida por usuario		

Cambio de Giro		
F7.03	Función de tecla JOG	1

Con equipo en marcha, los Led de la pantalla deben estar de la siguiente manera:
 RUN/PRG, Encendido Fijo
 LOC/REM, Apagado
 HZ, encendido Fijo

Programación en modo Remoto

Datos Básicos, F0			
F0.0	Modo de control de Velocidad	Definido por usuario	
		0	Control de torque sin sensor
		1	Control de tensión a frecuencia
F0.01	Comando de partida	1	En modo remoto, parte por entradas Digitales
F0.03	Comando de Frecuencia	1	En modo remoto, varia frecuencia por AI1 (potenciómetro externo)
F0.10	Selección de dirección de marcha	0 (por defecto)	0: dirección por defecto
			1: Reversa
			2: inhabilita reversa

Datos de placa de Motor, F2			
F2.00	Tipo de convertidor de Frecuencia	Definida por usuario	0: Tipo T
			1: Tipo P
F2.01	Potencia del Motor	Definida por usuario	
F2.01	Frecuencia del Motor	Definida por usuario	
F2.03	Velocidad del Motor	Definida por usuario	
F2.04	Voltaje nominal del Motor	Definida por usuario	
F2.05	Corriente Nominal del Motor	Definida por usuario	

Terminales de entrada F5		Ver diagrama de conexiones en Manual	
F5.00	Función de terminal X1	1 (por defecto)	Marcha en avance (arranque normal)
F5.01	Función de terminal X2	2 (por defecto)	Marcha en retroceso
F5.04	Función de terminal X5	7 (por defecto)	Reset de falla externo
F5.05	Función de terminal X6	8 (por defecto)	Entrada de falla externa

Con equipo en marcha, los Led de la pantalla deben estar de la siguiente manera:

RUN/PRG, encendido Fijo

LOC/REM, Parpadeando.

HZ, encendido Fijo

Descripción de indicador de luces Led			
Led de indicación de estado	RUN/ PRG	Apagado	Inversor en modo Stop (detenido)
		Parpadeando	El inversor está en estado de autoaprendizaje de parámetros
		Encendido	Inversor está en modo Marcha
	F/R	Apagado	Si F/R está apagado, el inversor está en marcha en avance
		Encendido	Si F/R está encendido el inversor está en marcha en retroceso
	LOC/ REM	Apagado	Comando de partida del inversor, comandado por teclas del panel del Inversor (modo Manual)
		Parpadeando	Comando de partida del inversor, comandado por terminales de entrada del inversor (modo Remoto)
		Encendido	Comando de partida del inversor, comandado por comandos de comunicación externa del inversor
	FAULT	Apagado	Inversor en estado de funcionamiento normal
		Parpadeando	Inversor en modo de Fallo
Led Indicador de Unidad	Hz	Encendido	Parámetro mostrado en display, corresponde a Frecuencia de funcionamiento
		Parpadeando	Parámetro mostrado en display, corresponde a seteo de Frecuencia
	A	Encendido	Parámetro mostrado corresponde a la salida real de corriente del inversor
	V	Encendido	Parámetro mostrado corresponde al voltaje del bus DC del Inversor
		Parpadeando	Parámetro mostrado corresponde a la salida de voltaje del Inversor
	Hz + A	Encendido	Parámetro mostrado corresponde a la velocidad de marcha
	A + V	Encendido	Parámetro mostrado corresponde a la potencia de salida
		Parpadeando	Parámetro mostrado corresponde al torque de salida